

Trevi Blend

Installation suitability

Balanced high or low pressure water systems. Modulating combination boilers. Power shower installation.

Temperature variations will occur if draw-off on the cold side takes place upstream of the shower valve. This effect can be minimised by fitting a pressure independent flow

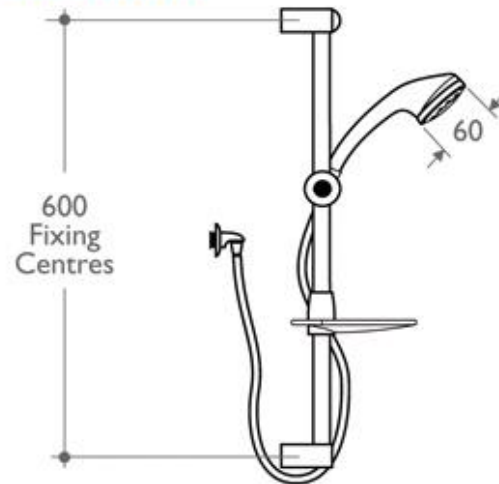
control to the cold supply immediately before the shower fitting. The flow control should match the performance of the one already built into the modulating combination boiler.

Operating Pressures

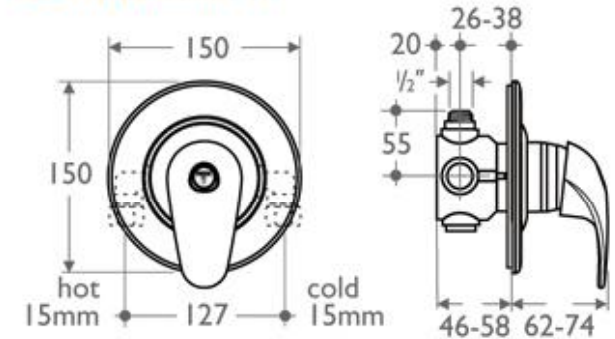
Minimum 0.1 bar (1 metre from the bottom of the storage tank to shower head).

Maximum 5.0 bar static pressure.

Shower Kit



Control Built-In



Control Exposed

