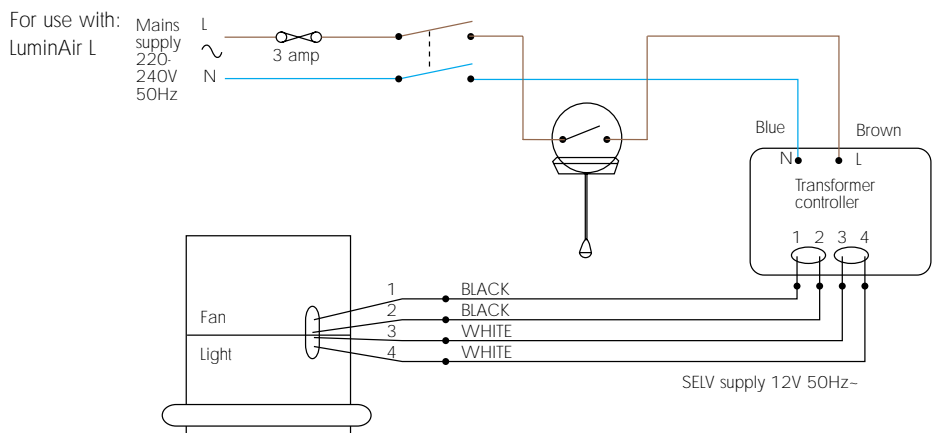
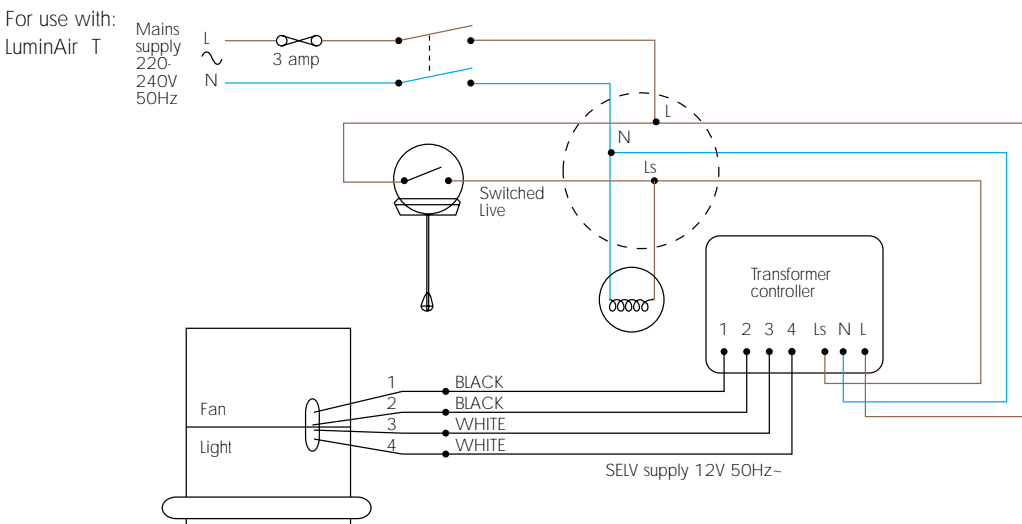


WIRING DIAGRAM - 27



WIRING DIAGRAM - 28



WIRING DIAGRAM - 29

