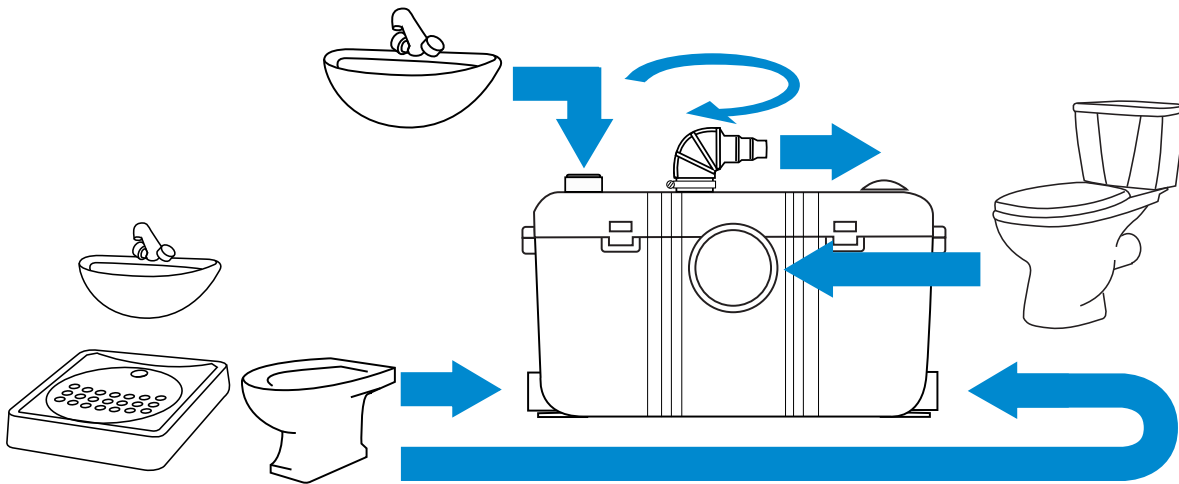


1. Description

Sanibest is a high performance pump/macerator for normal WC waste, toilet paper and waste water in accordance with the relevant regulations. Sanibest is suitable for heavy usage situations and will handle water for short periods at 90°C.



This pump/macerator has been designed to pump away the waste from a WC and the sanitary appliances shown above. Sanibest is a robust machine which is capable of handling occasional sanitary article accidentally flushed down the WC. Installed and used correctly, Sanibest will give consistent and reliable service.

Please pay particular attention to the following:



Possible danger to personnel

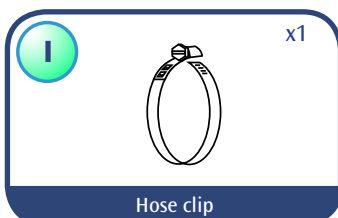
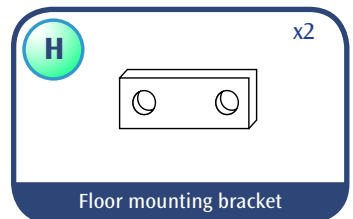
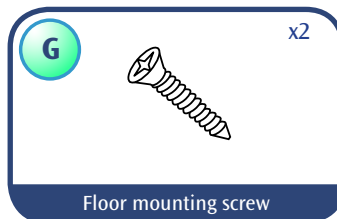
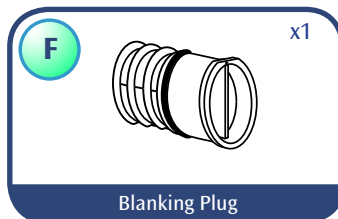
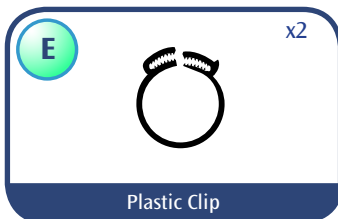
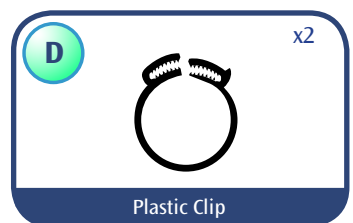
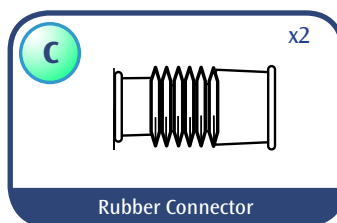
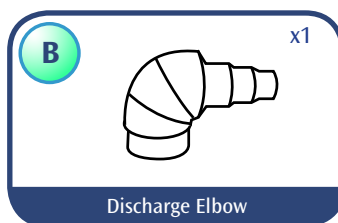
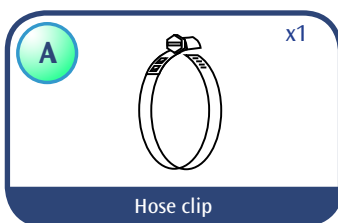


Warning of possible electrical hazard

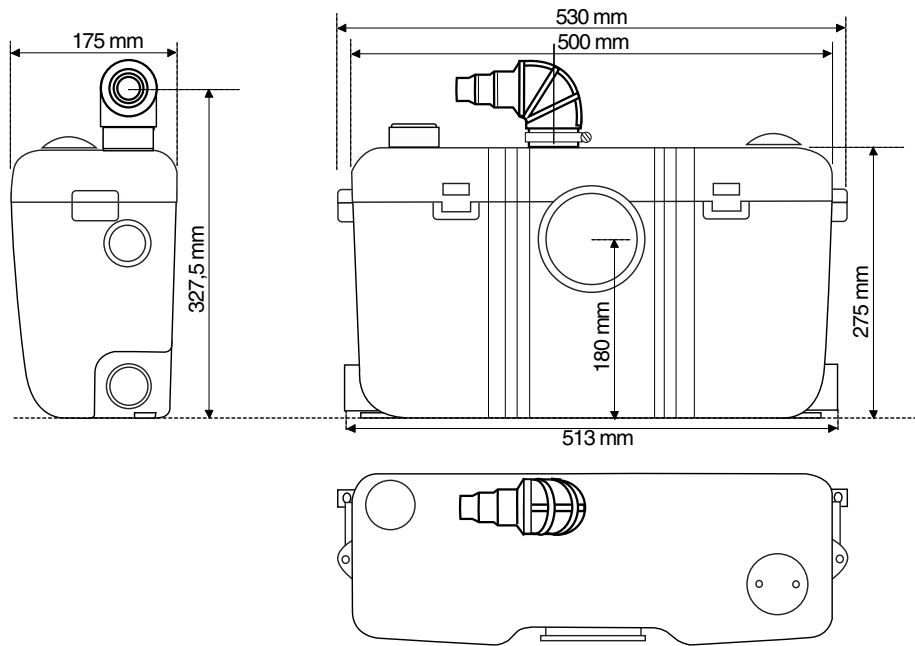
Please also see “10 golden rules” for correct Saniflo installation on www.saniflo.co.uk

“ATTENTION” This is a general warning that failure to follow instructions could result in poor functioning of the unit.

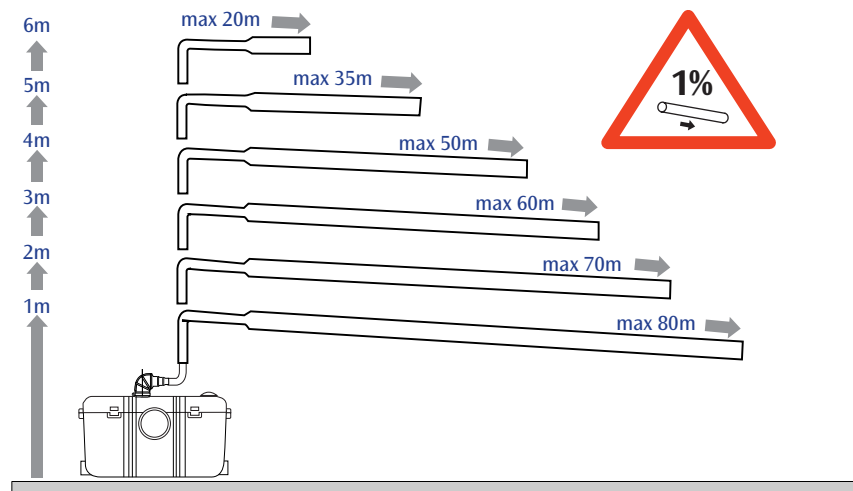
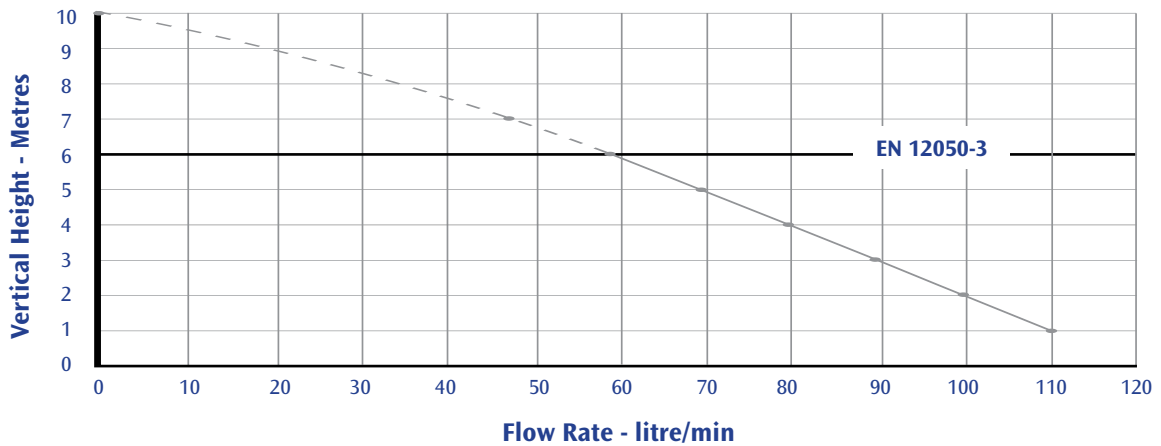
2. List of Accessories included



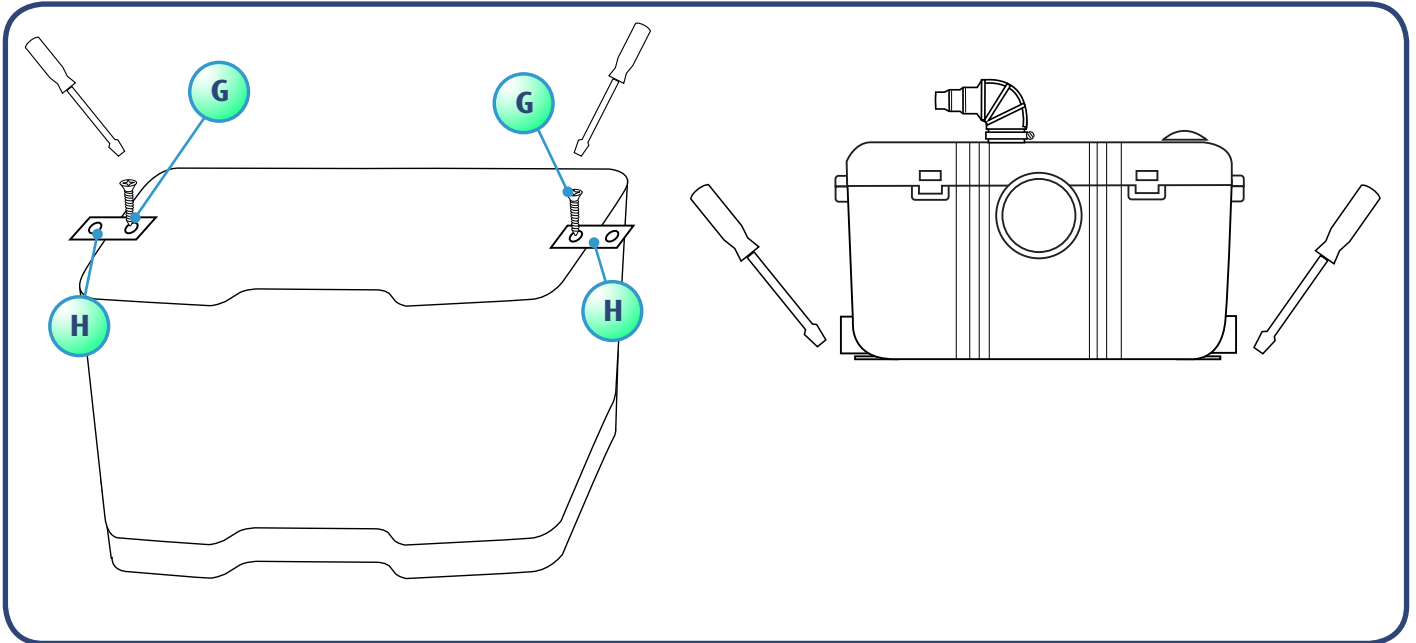
3. Dimensions and overall measurements



4. Performance Curve & Height and Length of the discharge pipe



5. Installation

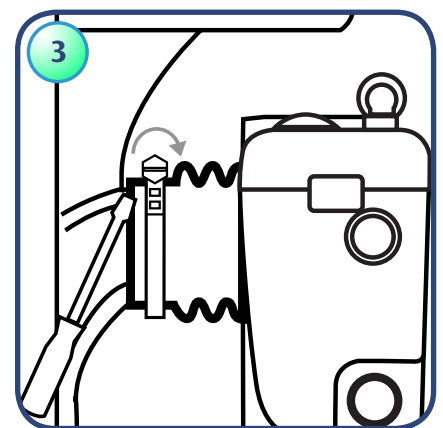
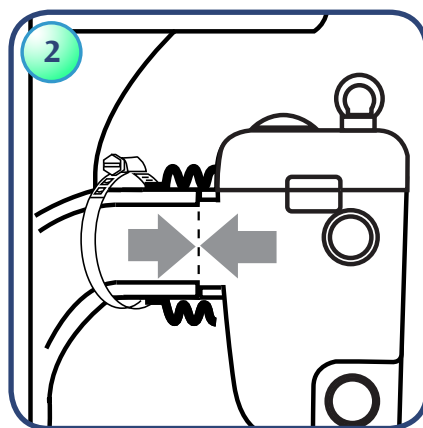
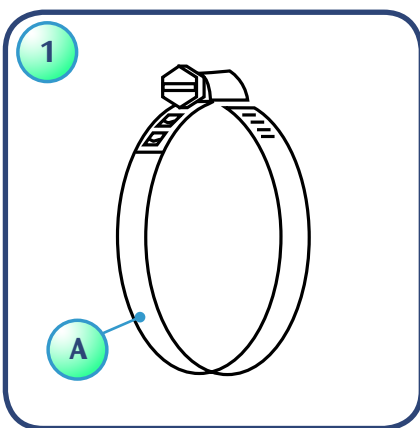


WARNING: The unit must be connected to a WC pan with a horizontal outlet spigot conforming to EN33 or EN37 norms.

The unit should be installed so that it is accessible for possible maintenance.

The unit can be fixed to the floor to prevent it from moving or turning.

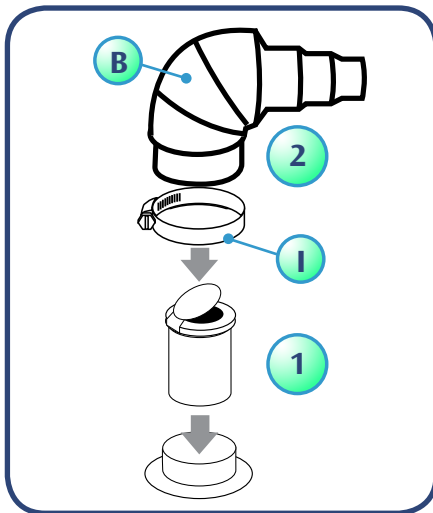
6. Connection to a WC



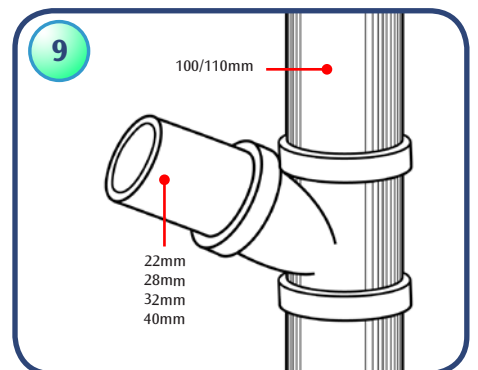
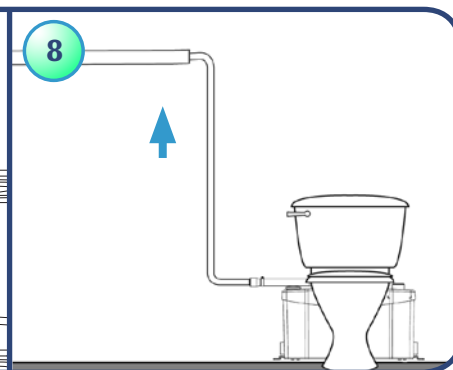
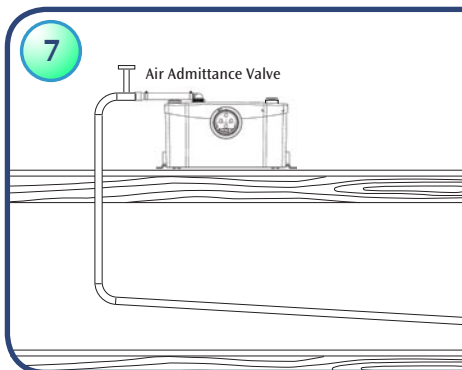
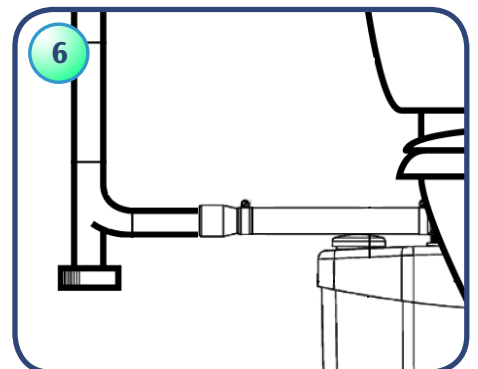
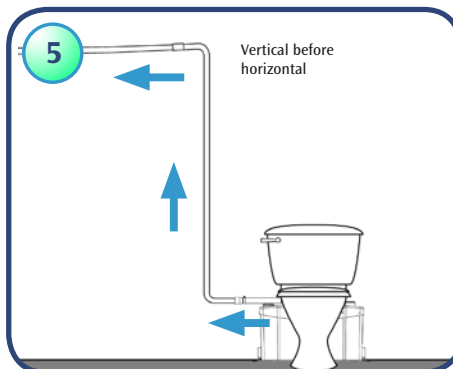
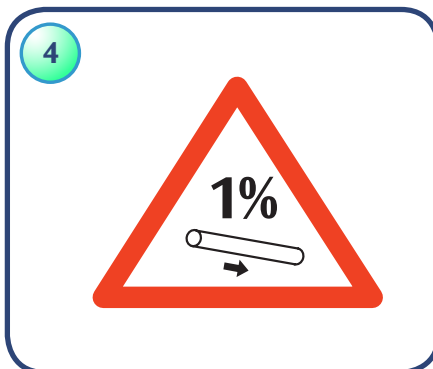
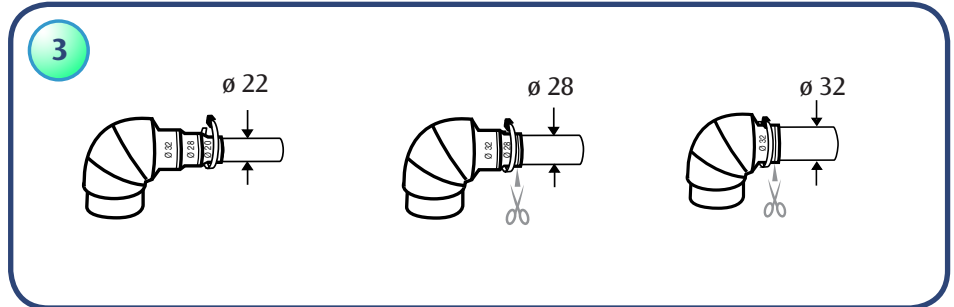
Pull flexible sleeve over the pan spigot (fig 1)

Position the jubilee clip over the edge of the flexible sleeve (fig 2), and tighten with a screwdriver (fig 3).

7. Connection of the discharge pipework



Note: Diagrams 5,6,7 & 8 show the Saniplus and not the Sanibest as an example only.



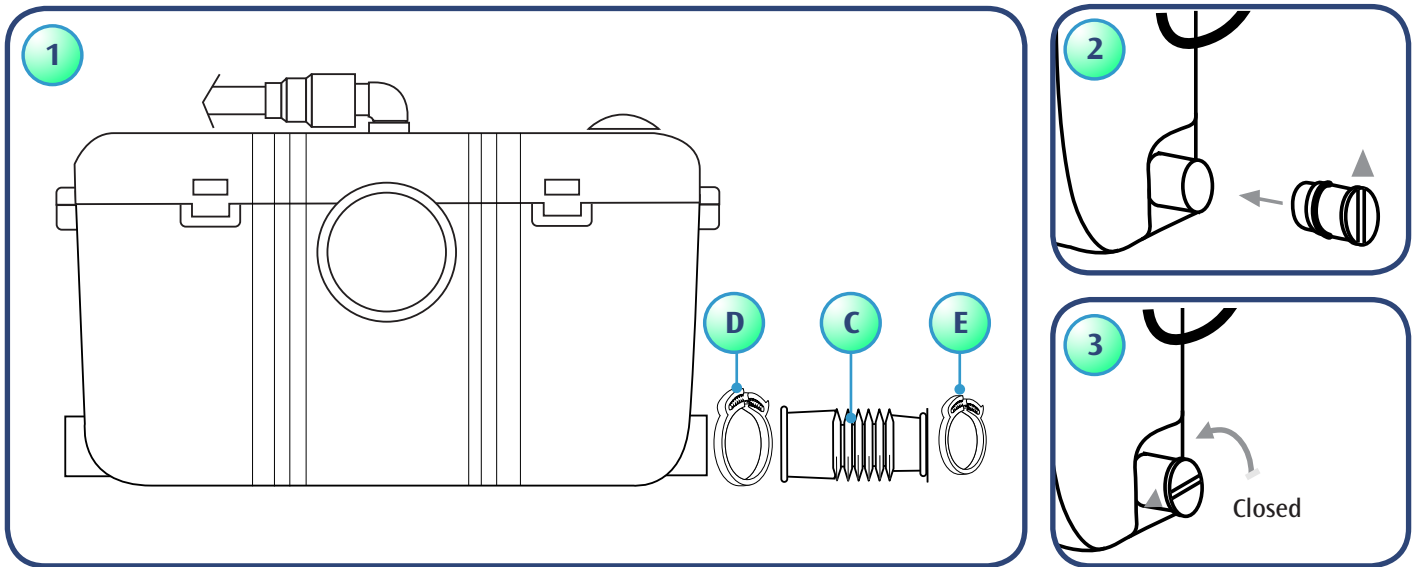
- 1 Insert the elbow (B) into the lid until the lugs engage and turn it clockwise to the direction required.
- 2 Attach the rubber discharge elbow to the outlet pipe and secure with steel hose clip (I). Ensure the flap opens in the same direction as the discharge elbow.
- 3 Connect the other end to 22mm (3/4") copper or rigid UPVC pipe.
- 4 Horizontal pipe runs must have a minimum fall of 1:100 (10mm per metre) to the soil stack.
- 5 If a vertical lift is required, it must be made before the horizontal run at the start of the piperun.
- 6 We would recommend that a drain-off point is installed to allow the discharge pipework to be drained down before any service work.
- 7 If the discharge pipework runs to a level considerably lower than the unit, the resultant siphoning effect can suck out the water seal in the unit. Fitting an air admittance valve capable of withstanding 10psi pressure (BBA approved) at the high point of the pipe run will overcome this problem.
- 8 Ensure all external pipework is adequately lagged to avoid the possibility of freezing.
- 9 The discharge pipework must be connected to the soil stack using an appropriate strap on boss.

N.B. Any elbow on the discharge pipe of the unit will create friction loss (roughly 50cm per elbow to be deducted from the vertical pumping specification).

Always use smooth bends (or 2 x 45 degree bends together) and not 90 degree elbows.

Note. The discharge pipework should be copper or rigid solvent weld plastic (22mm or 32mm).

8. Connection of the other sanitary appliances

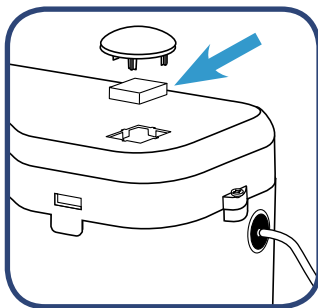


To connect to the side entries of the case, use the rubber connector (C). Secure with plastic clips (D) and (E).

Plug the unused inlet with blanking plug (F) after greasing the joint.

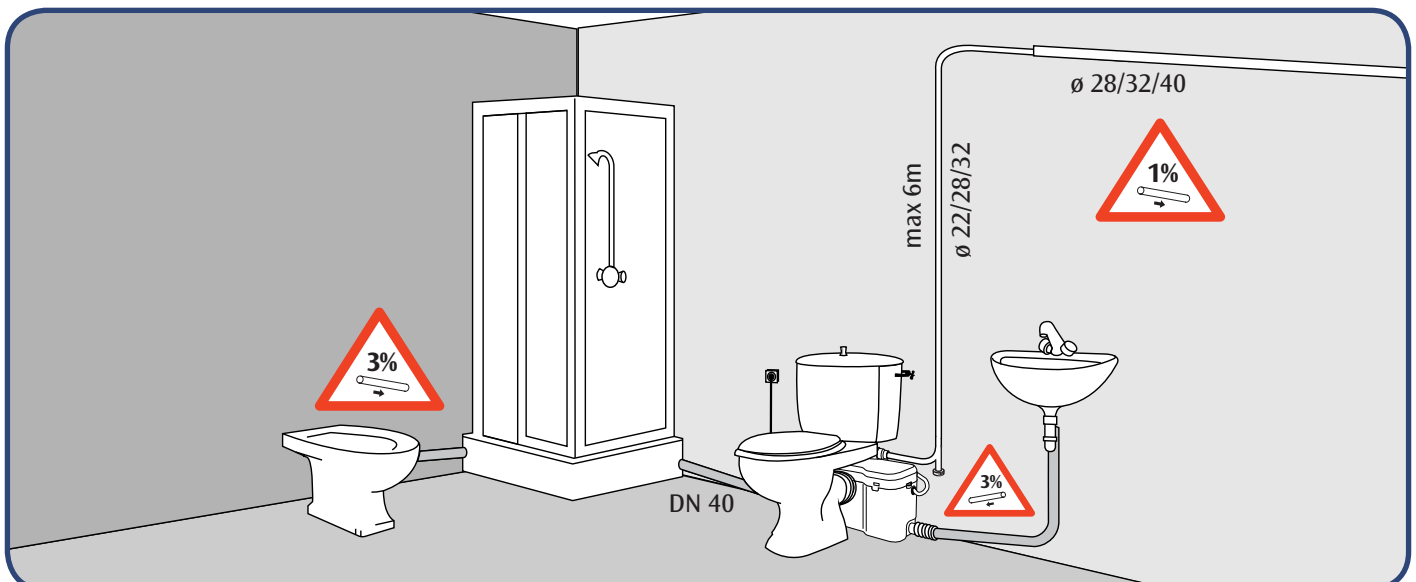
Warning: Ensure when connecting a shower to the Sanibest that the underside of the shower tray is raised by at least 15cm from the floor.

9. Venting



Sanibest is fitted with an active carbon filter, and requires no external venting.

10. Example of Sanibest installation



11. Electrical connection



The electrical installation should be carried by a qualified person and conform to BS 7671 1992 requirements for electrical installation.

- Sanibest requires a 220/240V single phase 50 Hz supply (UK specification) and should be connected to an unswitched fused wiring connector protected by a 5 amp fuse, or circuit breaker set to 30mA.
- The unit should be sited at least 60cm away from any shower tray.

12. Technical Data

| | |
|-----------------------------|-----------------------------------|
| Application | 1 WC + shower + bidet + washbasin |
| Maximum Vertical Pumping | 6m |
| Maximum current consumption | 3,5 A |
| Normal Power Rating | 760 W |
| Electric Class | I |
| Type | LA05-B81 |
| Degree of protection | IP44 |
| Net Weight | 9,5 kg |
| Voltage | 220-240 V |
| Frequency | 50 Hz |

13. Norms

Sanibest conforms to EN 12050-3.
Lifting plant for wastewater containing faecal matter for limited applications.

SANIBEST®
Société Française d'Assainissement
EN 12050-3/02
LA05-B81
220 - 240 V - 50 Hz - 750 W - IP44



14. Commissioning the unit

Once electrical and plumbing connections have been made, flush the WC once. The motor should run from 10 to 30 seconds to clear the waste (depending on the length and height of the pipe run). If it runs for more than 35 seconds, check that the discharge pipe is not kinked or blocked or check that the non-return valve is correctly installed.

Flush the WC checking that all seals, and connections are watertight. Check both the discharge pipework from the unit, and the waste pipes from washbasin or shower.

Warning: There should be no dripping of water from the WC cistern or taps. If there is, this will cause the unit to activate repeatedly as it pumps the water away.

15. Usage

A WC fitted with a Sanibest pump/macerator does not require any special maintenance. The Sanibest will operate automatically as soon as the required level of water enters the case.

Warning: The water authorities strongly discourage the disposal of sanitary items such as condoms, tampons and sanitary pads via a WC. However, should such items be flushed down a WC attached to Sanibest, the unit is able to accept these items without blocking. Damage will occur to the Sanibest if hard objects (eg metal, wood etc) are flushed via the WC, or aggressive chemicals such as acids, caustics, solvents etc.

16. Care of your Sanibest unit

In order to remove scale and clean the macerator and the bowl, use a household descaler (like SANIFLO descaler). As a general rule, household disinfectants and bleaches designed for a normal WC are suitable for use with a Saniflo unit.

- Disconnect the macerator power supply.
- Pour an amount of descaler / bleach in the pan.
- Flush the WC once.
- Leave it to stand for 1 or 2 hours.
- Re-connect the macerator power supply.
- Rinse by operating the flushing system twice.

Carry out the operation once every 3 months on average, but the frequency may need to be changed depending on the hardness of the water.

17. Fault Finding / Remedies

For the most part any inconsistencies in the operation of the unit will be minor and easily rectified. Please refer to the chart below. If the problem cannot be easily remedied in this way. Please call our Service organisation.



IN ALL CASES, YOU MUST DISCONNECT THE MACERATOR FROM THE POWER SUPPLY

ALL WORK INVOLVING DISMANTLING OF THE APPLIANCE MUST BE CARRIED OUT BY AN APPROVED REPAIR AGENT

| SYMPTOMS | PROBABLE CAUSES | REMEDIES |
|---|---|--|
| <ul style="list-style-type: none"> • The motor intermittently activates | <ul style="list-style-type: none"> • <i>The WC cistern or taps are dripping</i> • <i>The external non-return valve (21a) is faulty</i> | <ul style="list-style-type: none"> • Check the appropriate washers / seals on the cistern / taps etc • Clean or replace the non-return valve (21a) |
| <ul style="list-style-type: none"> • The water in the WC pan goes down very slowly | <ul style="list-style-type: none"> • <i>The air opening (26) of the unit is blocked</i> | <ul style="list-style-type: none"> • Replace the carbon filters (26b) |
| <ul style="list-style-type: none"> • The motor operates normally, but continues to run for a long time | <ul style="list-style-type: none"> • <i>The length or height of the installation is over the specification, or there are too many bends/elbows</i> • <i>The unit is blocked</i> | <ul style="list-style-type: none"> • Check the installation • Call a service engineer to inspect the motor |
| <ul style="list-style-type: none"> • The motor does not activate | <ul style="list-style-type: none"> • <i>The electrical supply is not active</i> • <i>Problem with motor or electrical chamber</i> | <ul style="list-style-type: none"> • Restore the electrical supply • Call a service engineer to inspect the motor |
| <ul style="list-style-type: none"> • The motor hums, but does not run | <ul style="list-style-type: none"> • <i>The capacitor (38) or motor is defective</i> | <ul style="list-style-type: none"> • Call a service engineer to inspect the motor |

18. Guarantee

2 years guarantee as from its date of purchase subject to correct installation and correct usage.

19. Parts

