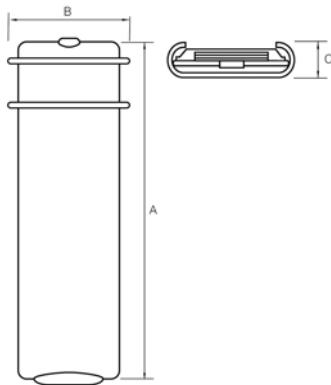


### Campaver - Bathroom Radiator Model No.s: CMV1200B/W/R, CMV1600B/W/R



July 2006—Issue 2



Dimensions (mm)			
Model	Height (A)	Width + rails (B)	Depth + rails (C)
CMV1200B	1202	352 + 54	113 + 67
CMV1600B	1502	427 + 54	113 + 67
CMV1200W	1202	352 + 54	113 + 67
CMV1600W	1502	427 + 54	113 + 67
CMV1200R	1202	352 + 54	113 + 67
CMV1600R	1502	427 + 54	113 + 67

**THESE INSTRUCTIONS SHOULD BE READ CAREFULLY AND RETAINED FOR FUTURE REFERENCE**

### IMPORTANT SAFETY ADVICE

**WARNING-** This product must be installed by a competent person or electrician in conjunction with the current IEE Wiring Regulations and relevant Building Regulations

When using electrical appliances, basic precautions should always be followed to reduce risk of fire, electrical shock, and injury to persons including the following:

**WARNING - THE SURFACES OF THIS HEATER CAN BE HOT**

Momentary contact with any part of the heater should not cause injury. However, aged or infirm persons or young children should not be left unsupervised in the vicinity of the heater unless a suitable guard is fitted

This appliance is not intended for use by children or other persons without assistance or supervision if their physical, sensory or mental capabilities prevent them from using it safely.

- DO NOT cover or obstruct the air inlet or air outlet vents - only use the towel hangers for drying/airing towels
- DO NOT recess the unit in to a wall, as this will cause overheating and potentially be a fire risk.
- The wall bracket provided must be used for installation
- DO NOT use outdoors
- DO NOT locate the radiator immediately below a fixed socket outlet or connection box
- This radiator is IP24 rated and therefore can be installed in a bathroom but must be located so switches and other controls cannot be touched by a person using a bath or shower

### General Principle

The Campaver range of bathroom radiators combine the use of multiple radiant element technology with an innovative and stylish use of glass to provide the perfect balance of radiant and convected heating for optimum comfort.

The highly efficient aluminium radiant element and thin surface heating film work together to provide rapid warm up and even heat distribution across the surface of the glass.

The Campaver range also incorporates a fan boost controlled by a runback timer, which overrides the thermostat setting, for powerful room heating and rapid towel drying.

### Location

All Campaver radiators should be installed by an electrician or competent person in strict accordance with the current IEE Wiring Regulations and relevant Building Regulations

#### Class 1 appliances:

#### UK & Northern Ireland installations:

All Campaver radiators are IPX4 rated and can therefore be installed in **Zone 2** of a bathroom. These appliances are NOT suitable for installation in Zone 0 or Zone 1. (see Fig.2)

#### Republic of Ireland installations:

All Campaver radiators are IPX4 rated and can therefore be installed in **Zone 3** of a bathroom. These appliances are NOT suitable for installation in Zone 0, Zone 1 or Zone 2. (see Fig.2)

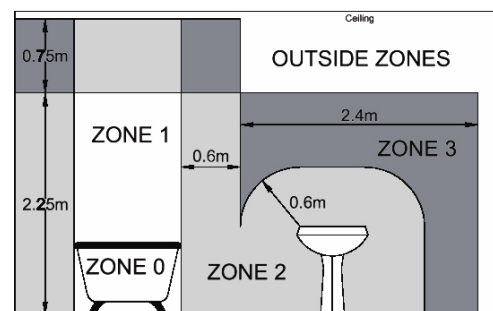


Fig.2

### Technical Specification

Model	Radiant Output(W)	Fan Output (W)	Voltage	Current (Amps)	Weight (kg)	Casing Finish	Glass Finish
CMV1200W	600	600	230V~AC	5	16	White	White
CMV1600W	1000	600	230V~AC	7	22	White	White
CMV1200B	600	600	230V~AC	5	16	Black	Black
CMV1600B	1000	600	230V~AC	7	22	Black	Black
CMV1200R	600	600	230V~AC	5	16	White	Mirror
CMV1600R	1000	600	230V~AC	7	22	White	Mirror

## Installation

**WARNING—This product must be installed by a competent person or electrician in conjunction with the current IEE Wiring Regulations and relevant Building Regulations**

The Campaver bathroom radiator must be wall mounted as follows:

1. Make sure the minimum clearances are adhered to (**Fig.1** and **Fig.2**)
2. Place the wall bracket on the wall, making sure it is the correct way up, and mark the relevant fixing points
3. Drill the holes and secure the wall bracket with the appropriate fixing type for the wall
4. Using the 6 vertical hooks on the wall bracket, place the radiator over the hooks (**1**) and pull downwards to secure (**2**) (see **Fig.3**)
5. Pull the child lock knob downwards (**1**) and turn clockwise (**2**) until tight to lock in position (see **Fig.4**)

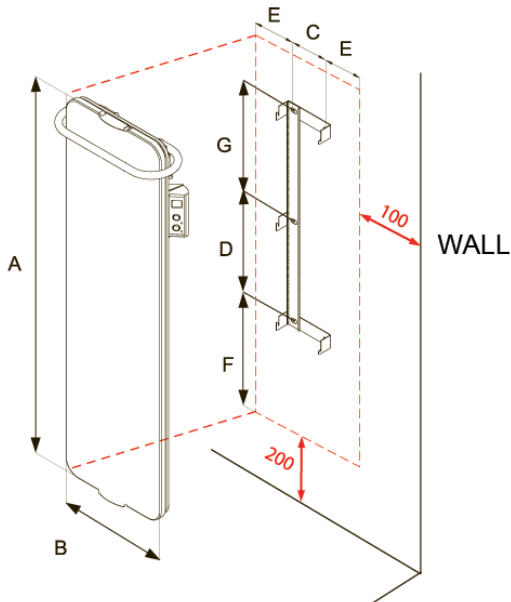


Fig.1

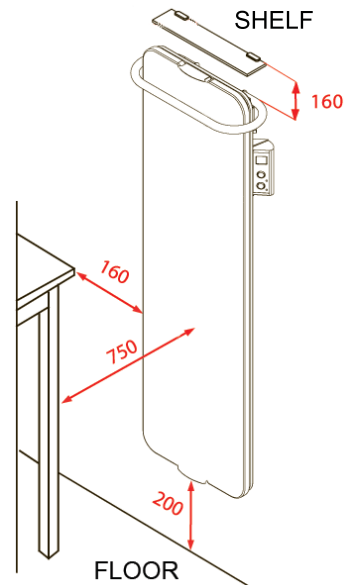


Fig.2

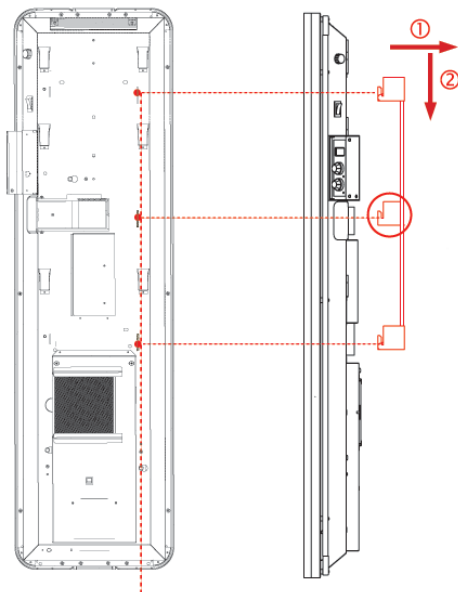


Fig.3

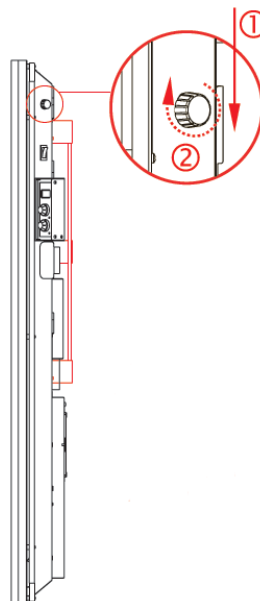


Fig.4

## Dimensions

Model	Dimensions in mm						
	A	B	C	D	E	F	G
CMV1200W	1202	352	140	265	106	514	265
CMV1600W	1502	427	215	505	106	514	325
CMV1200B	1202	352	140	265	106	514	265
CMV1600B	1502	427	215	505	106	514	325
CMV1200R	1202	352	140	265	106	514	265
CMV1600R	1502	427	215	505	106	514	325

## Electrical Connection

Please also refer to 'IMPORTANT SAFETY ADVICE' on page 1

### IMPORTANT:

If the appliance is **NOT** connected to a pilot wire controller, isolate the black pilot wire

The wires in the mains lead are coloured in accordance with the following code:

- N** - Neutral (grey)
- L** - Live (brown)
- E** - Earth (yellow/green)
- P** - Pilot Wire (black)

## Pilot Wire Connection

### IMPORTANT

Do **NOT** connect the pilot wire to earth

Care should be taken with the installation of the pilot wire(s) as when switching to background (setback) they become energised at 240V although only at a current of 1mA. In every case a suitable means of isolation must be provided for the pilot wire and marked to indicate that two sources of supply may be present at the heater.

Where pilot wires are installed separately from the heater final sub-circuit they should be protected, double insulated and carry their own integral earth continuity conductor.

**Note:** Pilot wire installations are appropriate for single phase connection only

## Operation

The Campaver incorporates simple to use electronic controls to provide maximum comfort and energy saving benefits.

## Radiant Heat

1. Press the ON/OFF switch to the 'I' position (see **Fig.4 - A**)
2. Turn the thermostat dial (**E**) (see **Fig.5**) clockwise to the maximum setting, the neon indicator (**F**) will light to show the front panel is starting to heat
3. Once the desired room temperature is achieved, turn the thermostat dial slowly anti-clockwise until the indicator (**F**) is no longer lit and the radiator will automatically maintain the set temperature.
4. The thermostat dial (**E**) offers a frost protection setting. Turn the thermostat dial anti-clockwise to the **X** symbol and the radiator will automatically maintain a room temperature of 7°C (+/-3°C)

## Fan boost and runback timer

For additional room heat or rapid towel drying, the Campaver bathroom radiator incorporates a runback timer controlled fan boost.

**NOTE:** The fan boost will **only** operate with the runback timer control

## Fan boost and runback timer

1. Press the runback timer dial (**C**), the digital display (**B**) will show a preset time of 20 minutes and the fan boost will start to blow hot air from the front base of the radiator upwards
2. To adjust the amount of time you want the fan boost to run, turn the runback timer dial anti-clockwise to decrease the time and clockwise to increase the time (0-120 minutes maximum)
3. The digital display will countdown from the time selected to zero. Once the digital display reaches zero, the fan boost will automatically switch off.
4. To switch off the fan boost manually, press the runback timer dial (**C**).
5. To save the desired time setting for the runback timer, press and hold the runback timer dial (**C**) for 3 seconds. When the runback timer is switched off and on again the digital timer will display the new run back time as its default setting.

**NOTE:** When the runback timer is activated all three heat sources (both radiant elements and fan boost) will operate at maximum heat output and will override the thermostat setting until the runback timer reaches zero.

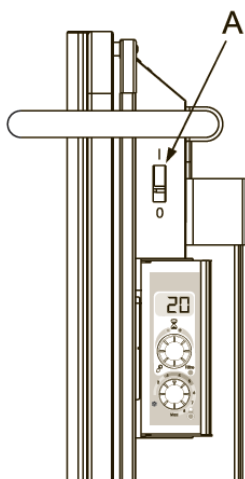


Fig.4

- Run back timer countdown display
- Run back timer control dial
- Filter saturation indicator
- Thermostat dial (radiant heat only)
- Heating indicator

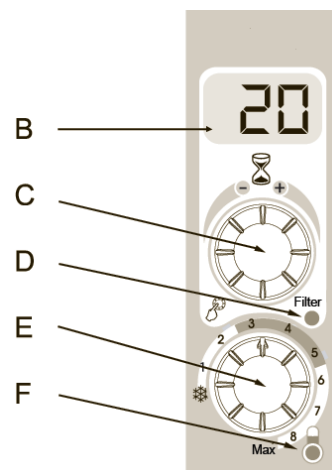


Fig.5

## Operation Contd.

### Pilot wire control

Unscrew the metal receiver sleeve from the back of the radiator (see Fig.6)

**NOTE:** Do **NOT** remove the receiver sleeve if a slot in programmer is not to be used

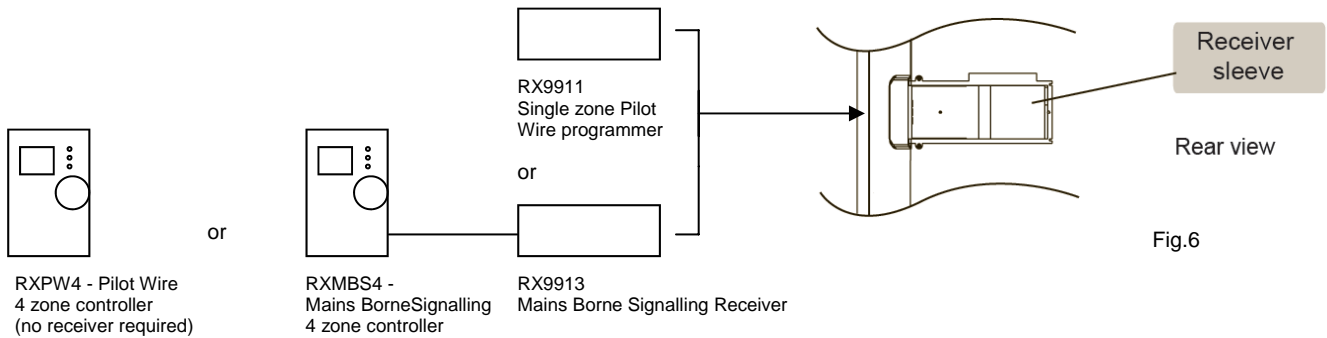


Fig.6

Mode	Function (Radiant Elements Only)
Comfort / On	Heater functions at thermostat setting
Background (Setback)	Heater functions at 3.5°C below thermostat setting
Off	No heat output
Frost protection	Heater functions at 7°C (+/-3°C)

**NOTE:** Pilot wire and MBS controllers only control the radiant elements. If the runback timer is in use the fan boost will continue to run regardless of the mode selected.

**Please also refer to individual instructions for programmers and receivers**

### Assembly of towel rail(s)

- Place the rail above the radiator and push firmly in to the two slots at the rear of the radiator; there are three sets of slots for different height options (see Fig.7)

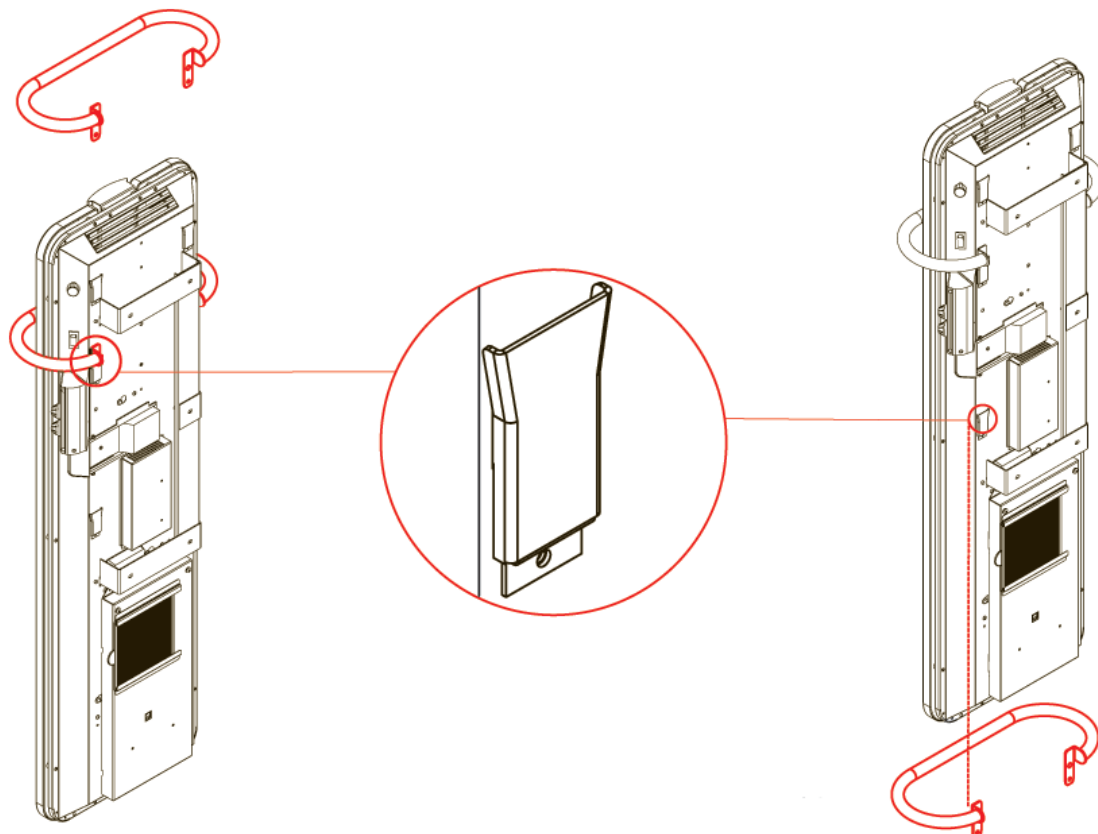


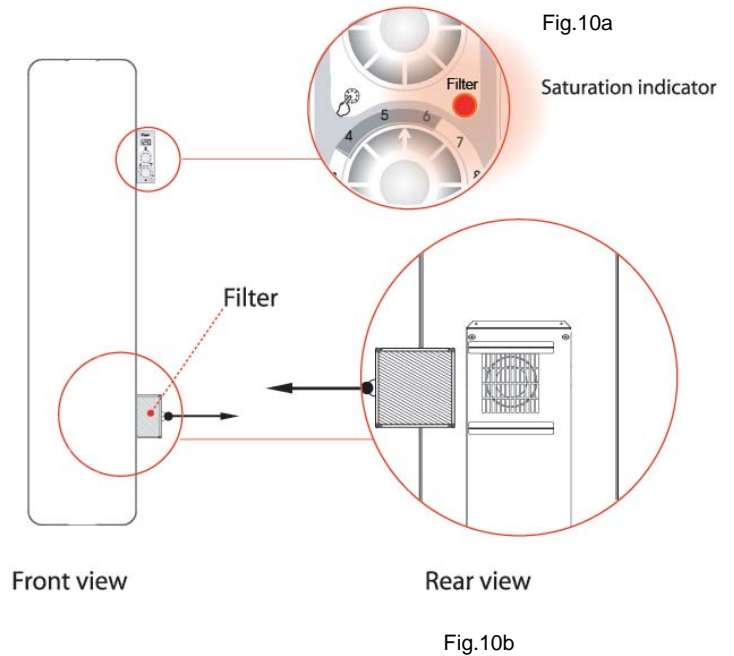
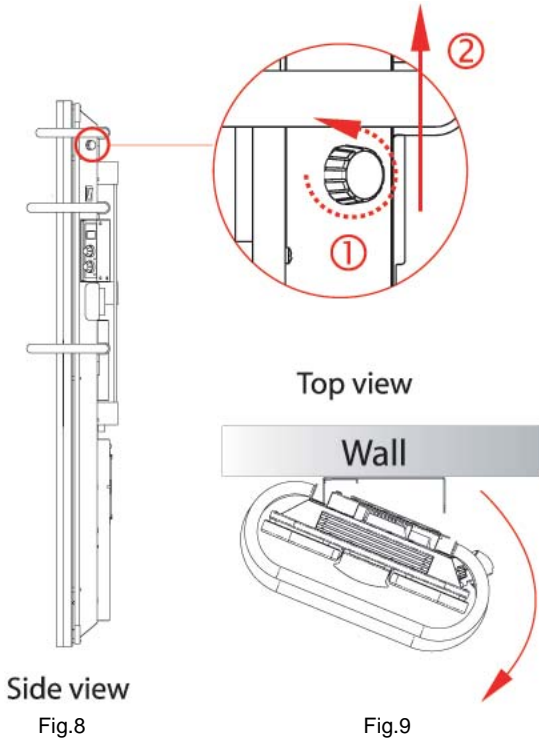
Fig.7

## Filter

### Cleaning the filter

When the filter requires cleaning the 'Filter' neon indicator will light (see Fig.10a)

1. First turn the child lock knob anti-clockwise (1) and lift the knob upwards (2) (see Fig.8)
2. Gently pull the right hand side of the radiator outwards (see Fig.9)
3. Slide out the filter towards you (see Fig. 9)
4. Wash the filter in warm soapy water and replace
5. Ensure the child lock is engaged (see also Fig.4 in the 'Installation' section on page 2)



## Cleaning

### IMPORTANT:

- Never clean the appliance whilst it is hot, always allow the product to cool sufficiently.
- Do **NOT** use abrasive cleaning products
- Always wait for the appliance to dry before switching it on again

Clean the casing of the product with a sponge and soapy water.  
Clean the glass front panel with a soft cloth and glass cleaner solution

## After Sales Service

Your product is guaranteed for two years from the date of purchase.

Within this period, we undertake to repair or exchange this product free of charge (subject to availability) provided it has been installed and operated in accordance with these instructions. Your rights under this guarantee are additional to your statutory rights, which in turn are not affected by this guarantee.

Should you require after sales service you should contact our customer services help desk on 0870 727 0101. It would assist us if you can quote the model number, date of purchase, and nature of the fault at the time of your call. The customer services help desk will also be able to advise you should you need to purchase any spares.

Please do not return a faulty product to us in the first instance as this may result in loss or damage and delay in providing you with a satisfactory service.

### Please retain your receipt as proof of purchase.

Glen Dimplex UK Ltd  
Millbrook House  
Grange Drive  
Hedge End  
Southampton

Customer Help Line  
Tel: (0870) 727 0101 (8am-6pm Mon-Fri; 8:30am-1pm Sat.)  
Fax: (0870) 727 0102  
E-mail: [customer.service@glendimplex.com](mailto:customer.service@glendimplex.com)  
Web-site: [www.dimplex.com](http://www.dimplex.com)  
Republic of Ireland Tel: 01 842 4833