



Comfort. By design

13/10/2011
CI/SFB [56]

www.dimplex.co.uk

eBrochure

**the information contained within this pdf document has
been downloaded from the official Dimplex website**

The information is correct at time of downloading, but Dimplex reserves the right to
change specification without notice.

Girona



Features

Energy saving features

- Electronic thermostatic control, providing room temperature stability to $\pm 0.3^{\circ}\text{C}$.
- Range of optional plug-in electronic timer modules, including:
 - 24 hour digital timer
 - Single-zone pilot wire programmer
 - Runback timer
- Compatible with Dimplex 4-zone, wall mounted pilot wire and mains borne signalling multi-heater programmers.

Other features

- Elegant glass front finish in black or white.
- Convected heat for rapid warm-up.
- Virtually noiseless operation.
- Compatible with a number of colour complementary Dimplex plug-in controllers.
- Pre-set background temperature at 5°C .*
- Splash-proof (IPX4) rated, for use in bathroom or wet areas.

* When connected to a programming unit supporting setback feature.

INSTALLED HEATING - PANEL HEATERS

Girona

Technical Specification

Controls



1 Thermostat control

User selection of room temperature from 5°C (frost protection) to 30°C using slider control. Slider can be locked in position if required.

2 Power controls and indicators

Soft-touch on/off button, together with indicators showing when power to heater is on and when element is operating.

3 Plug-in control modules (optional)

A range of optional plug-in control modules, which can be removed from the heater for easy programming, providing the flexibility to meet a wide range of control specifications:

24-hour Digital Timer (RX24Ti, RX24TiB)

1 timer required per heater. Provides 24 hour programmable on/off control.

Single Zone, Pilot Wire Programmer (RXPW1)

Controls up to 10 slave heaters linked via pilot wire. Provides 7 day programmable on/off control.

Runback Timer (RXRBTi)

1 timer required per heater. Provides installer programmable runback time upto 4 hours (in 30 min increments).

Can be locked into heater.

Choice of two finishes to match panel heater: RXRBTi - White, RXRBTiB - Black

Multi-zone Control

Compatible with Dimplex 4-zone pilot wire and mains borne signalling controller. (RX9913 receivers required for MBS system)

Thermostat

Electronic type, accurate to +/- 0.3oC.

Element

Compact, finned, mineral-filled sheathed type, providing virtually noiseless operation.

Thermal Cut-out

Auto reset type.

Construction

Durable epoxy-polyester powder coated steel casing, with upward facing grille. Temperature resistant PBT thermoplastic moulded parts.

Colour/Finish

White front, back, grille and plastic parts.

Installation

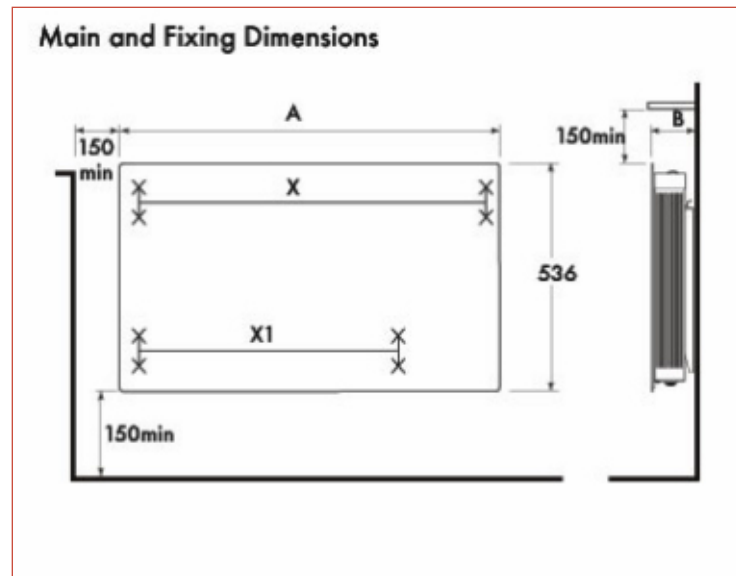
Detachable wall mounting bracket.

Electrical Connections

1.2m, 4 core cable (live, neutral, earth, pilot) supplied fitted to each heater.

IP Rating

Splashproof IPX4.



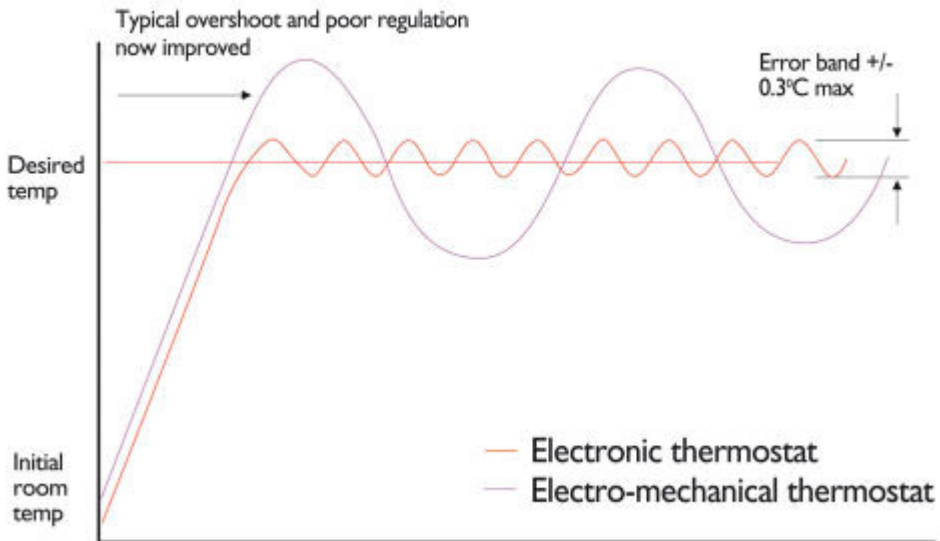
Model No.	Colour	Loading	Height	Width (A)	Depth (B)	X	X1	Weight
GFP050W	White	0.5kW	565mm	530mm	107mm	390mm	168.5mm	13kg

GFP075W	White	0.75kW	565mm	530mm	107mm	390mm	168.5mm	13kg
GFP100W	White	1.0kW	565mm	700mm	107mm	560mm	338.5mm	16.5kg
GFP150W	White	1.5kW	565mm	770mm	107mm	630mm	408.5mm	20kg
GFP200W	White	2.0kW	565mm	940mm	107mm	800mm	578.5mm	26kg
GFP050B	Black	0.5kW	565mm	530mm	107mm	390mm	168.5mm	13kg
GFP075B	Black	0.75kW	565mm	530mm	107mm	390mm	168.5mm	13kg
GFP100B	Black	1.0kW	565mm	700mm	107mm	560mm	338.5mm	16.5kg
GFP150B	Black	1.5kW	565mm	770mm	107mm	630mm	408.5mm	20kg
GFP200B	Black	2.0kW	565mm	940mm	107mm	800mm	578.5mm	26kg

Electronic Control

Dimplex Girona glass panel heaters feature highly accurate electronic thermostats, providing superior comfort and operating efficiency.

As the room temperature nears the desired set point, power to the elements is reduced, and the room temperature closely monitored to an accuracy of less than 0.3°C, minimising overshoot and temperature drift, resulting in better energy-efficiency and user comfort.



Being electronic, control is virtually noiseless and reliable.

After Sales Service

After sales service if required is absolutely no problem with Dimplex - we have a network of appointed Service Agents spread throughout the Country who are qualified and trained to repair or service any of our appliances.

Bathrooms

Any electrical appliances installed in a bathroom should be fitted by a competent electrician in accordance with the current I.E.E. Regulations. Portable heaters are NOT suitable for use in a bathroom. Unless otherwise specified, heaters that can be permanently fixed have to be so mounted that any controls cannot be reached by a person using a bath or shower. This restriction does not apply to Dimplex heated towel rails, which do not have controls.

Safety

Dimplex products are designed to comply with EN60335 the British Standard covering the safety requirements of electric heating appliances, and momentary contact with any part of the heater should not cause injury. However, in order to be effective, heaters or towel rails of any type do get hot especially (if applicable) around the air outlet grille. Therefore if aged or infirm persons, or young children, are likely to be left unsupervised in the vicinity of a heater we advise that precautions should be taken. We recommend that a guard is fitted around the heater, as is normal with many types of heating appliances in similar circumstances, to ensure contact with the heater is avoided and objects cannot be inserted into the product. Heating appliances should never be covered or positioned where objects may fall onto them.

Specifications

Dimplex policy is one of continuous improvement; the Company therefore reserves the right to alter specifications without notice. Although every care has been taken in the reproduction of product finishes in this brochure, the colour photographs should be taken only as a guide. This information is correct at the time of printing. You are advised to consult your dealer before purchasing.

Plugs

All portable appliances are supplied with a fitted plug.

British Electrotechnical Approvals Board - BEAB Approved

The mark of the British Electrotechnical Approvals Board signifies that the appliance bearing it has been produced to the stringent safety requirements for domestic electrical appliances as laid down in EN60335.

CE Mark

Products carrying the CE mark comply with European safety standards and the European Standard for electro-magnetic compatibility.

Installation Guidance

This information is designed to assist you with your choice of Dimplex products and it is not intended as an installation guide. For safety, products should only be installed by a competent person, in accordance with current regulations and the manufacturers instruction. If you require further advice concerning the installation of our products - especially where the installed dimensions may be critical to your choice and the location of the product - please consult your supplier.



Comfort. By design

Dimplex, Millbrook House, Grange Drive, Hedge End, Southampton, SO30 2DF
For Northern Ireland please contact - Glen Dimplex N.I. Limited, Unit No. 24, Seagoe Industrial Estate, Portadown,

Craigavon, Co. Armagh, BT63 5TH.

© Dimplex. All rights reserved. Material contained in this publication may not be reproduced in whole or in part, without prior permission in writing from Dimplex.

Please note that the dimensions contained within this publication do not in all cases include clearances required around installed product for safe operation.