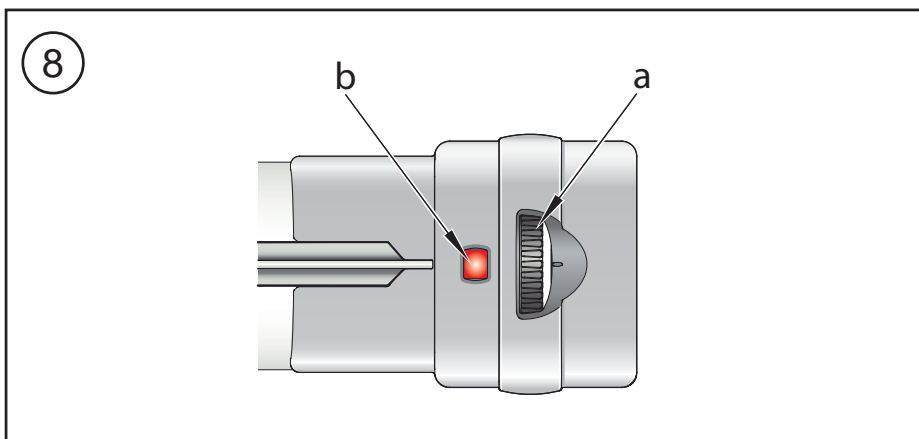
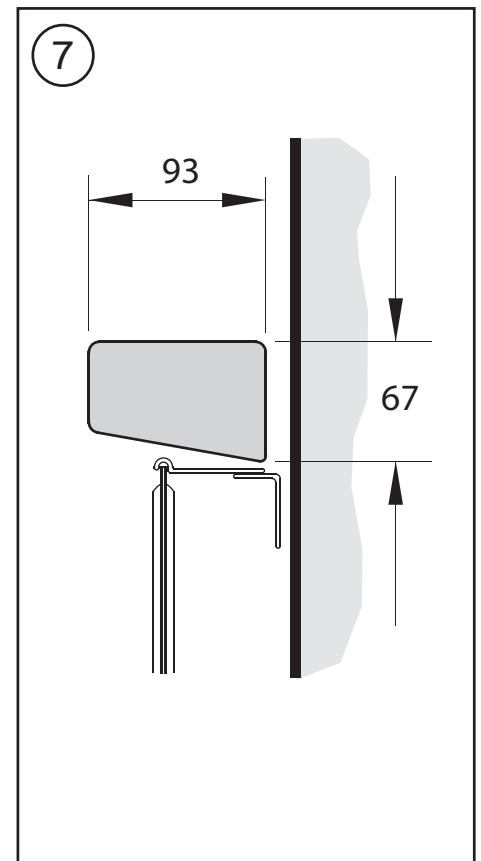
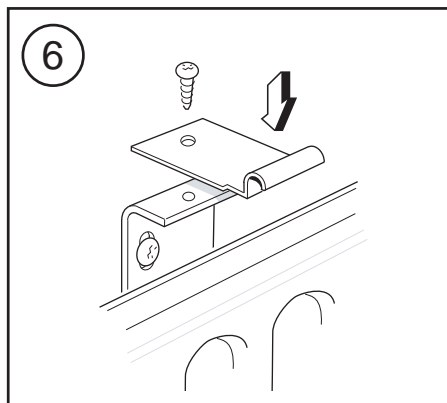
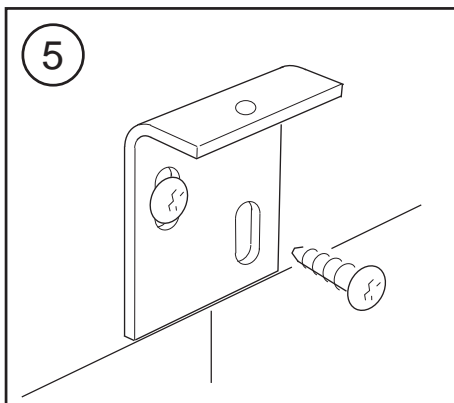
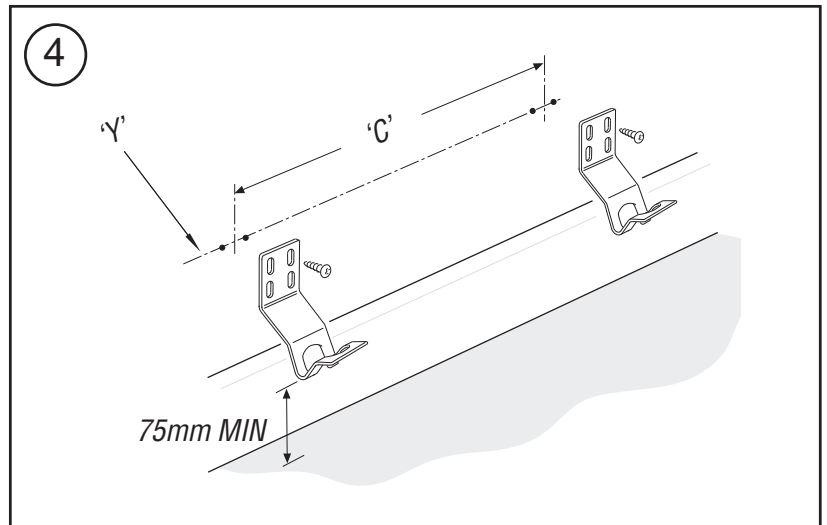
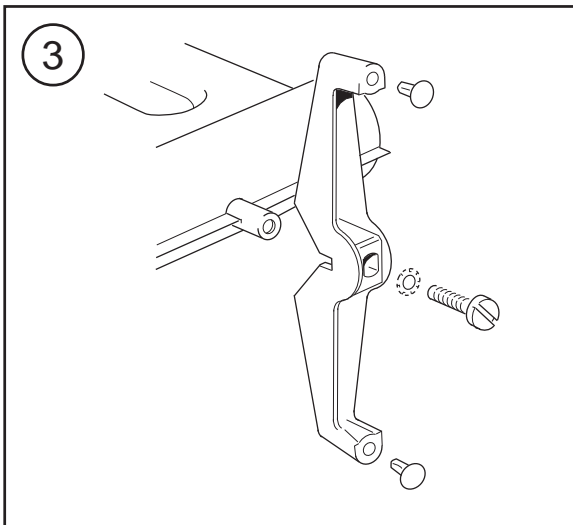
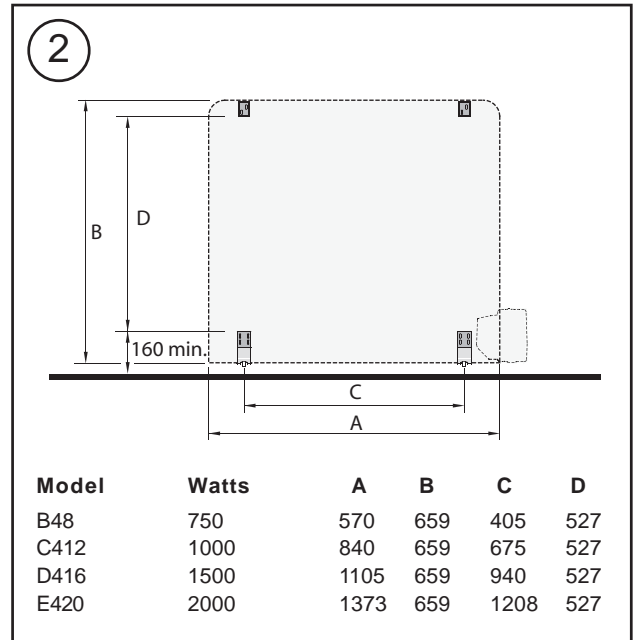
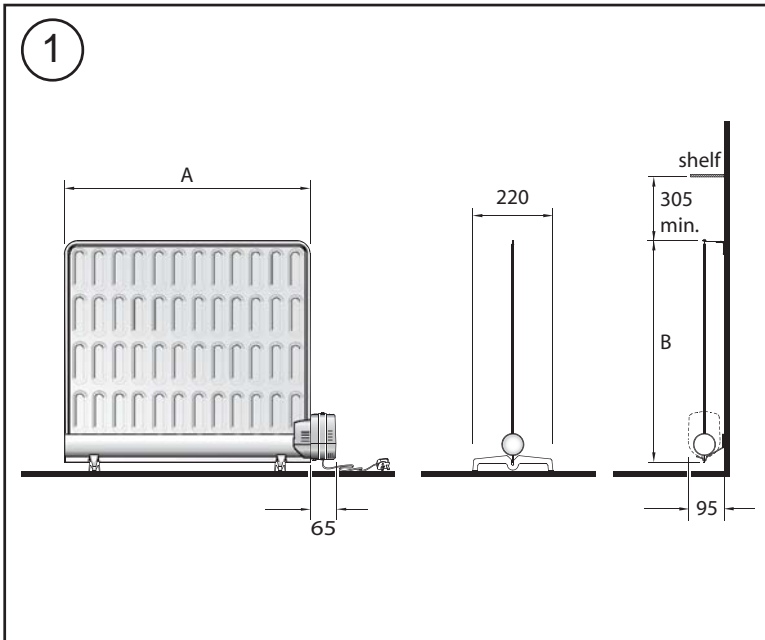


MK1 Oil filled Radiator
Models - B48, C412, D416 & E420



Important Safety Advice

WARNING – DO NOT USE UNTIL THE FEET ARE FITTED CORRECTLY OR IT IS WALL MOUNTED USING THE CORRECT WALL-MOUNTING KIT.

WARNING – THIS RADIATOR MUST ONLY BE USED IN THE UPRIGHT POSITION.

WARNING – THIS RADIATOR MUST NOT BE LOCATED IMMEDIATELY BELOW A FIXED SOCKET OUTLET.

WARNING – DO NOT USE THIS RADIATOR IN THE IMMEDIATE SURROUNDINGS OF A BATH, A SHOWER OR A SWIMMING POOL.

IMPORTANT – IF THE RADIATOR IS TO BE USED IN A BATHROOM OR SIMILAR LOCATION, IT MUST BE WALL MOUNTED SO THAT NO PART OF IT CAN BE TOUCHED BY ANY PERSON USING A BATH OR SHOWER, AND WIRED IN ACCORDANCE WITH I.E.E. REGULATIONS BY A COMPETENT ELECTRICIAN.

WARNING – THIS RADIATOR CARRIES A WARNING 'DO NOT COVER' TO ALERT THE USER TO THE RISK OF FIRE THAT EXISTS IF THE RADIATOR IS ACCIDENTALLY COVERED.

DO NOT COVER THE RADIATOR or place material or garments on it, or obstruct the air circulation around the radiator, for example with curtains or furniture, as this could cause overheating and a fire risk.

The radiator complies with stringent safety standards but to ensure efficient operation **SURFACES OF THE RADIATOR WILL BECOME HOT AND CONTACT WITH THESE AREAS SHOULD BE AVOIDED.**

This appliance is not intended for use by children or other persons without assistance or supervision if their physical, sensory or mental capabilities prevent them from using it safely. Children should be supervised to ensure that they do not play with the appliance.

If young children, the aged or infirm are likely to be left in the vicinity of the heater, we advise that adequate precautions should be taken. We recommend that a guard be fitted to ensure contact with the heater is avoided and objects cannot be inserted into the product. For further information, please contact our guard supplier direct on Tel. No. 01603 667957, or in case of difficulty or for further advice contact the Customer Helpline.

DO NOT use the radiator if it has been dropped or damaged or the mains lead has been damaged, until it has been examined by a qualified engineer.

DO NOT use the radiator if it develops an oil leak. Unplug the radiator and contact your supplier or our Customer Help Line.

If the radiator is tipped over, unplug it and allow it to cool before standing it back upright.

DO ENSURE that the mains lead cannot be tripped over.

DO NOT operate the radiator with the mains lead overhanging the heated surfaces.

If the supply cord is damaged it must be replaced by a special cord or assembly available from the manufacturer or its service agent.

The necessary feet, screws and wall mounting brackets are provided, packed with the radiator.

Free Standing on feet (see Fig. 3)

Never use the radiator free standing without the feet fitted.

Lay the radiator on its front on a table or similar and offer each foot up to its mounting bracket. Place each foot over the attachment bosses and secure it using the screws and washers provided.

Insert the four white plastic inserts into the holes in the base of the feet.

Stand the radiator on its feet and place it in position ready for use. The heater should always be used on a flat stable surface.

Ensure that there is at least 75mm of clear space around the radiator and at least 305mm between the radiator and any overhanging shelf.

Optional castors may be fitted to the feet in place of the plastic inserts:

Black plastic castors (4) RC9000

Metal ball castors (4) RC0291

Contact your supplier or our Customer Helpline for details.

For overall height with castors add 43mm.

Permanent wall mounting

THE RADIATOR MUST ONLY BE WALL MOUNTED USING THE KIT SUPPLIED.

Select a suitable position on a wall, near to a mains power outlet.

The radiator should not be mounted closer than 75mm from the floor - see Fig. 4 (to enable cleaning), or adjacent side walls.

Ensure at least 305mm clear space between the radiator and any overhanging shelf.

It should not be mounted closer than 1 metre from the ceiling.

STEP 1

Check that you have all the necessary components:

- (a) 2 x Bottom Wall brackets
- (b) 2 x Top Wall Brackets
- (c) 2 x Radiator Securing Brackets
- (d) 2 x Screws Self-tapping.

STEP 2

Using a straight edge, draw a horizontal line (see 'Y' in Fig. 4) for the bottom brackets at the required mounting height from the floor.

NOTE: The bottom of the radiator must not be less than 75mm from the floor. To achieve this, the top edge of the bottom brackets must be at least 160mm from the floor – see Fig. 2. On this line, mark off the fixing centres according to model – see 'C' in the table in Fig. 2 and Fig. 4.

Place the bottom brackets centrally over these centres with the top row of holes on the line, and mark the fixing hole positions – see Fig. 4.

STEP 3

Drill the holes and fit wall plugs. Screw the bottom brackets in position – see Fig. 4.

STEP 4

Measure dimension D in Fig. 2 according to model, from the top of the bottom brackets and draw a horizontal line. Mark off the fixing centres for the top brackets in line with the bottom brackets. Place each top bracket on the line and mark the fixing holes – see Fig. 5. Drill and plug the wall and fix the top brackets in place.

STEP 5

Place the radiator on the bottom brackets, then fit each securing bracket to the top of the radiator and secure it with the self-tapping screw provided – see Fig. 6.

Check that the radiator is securely fixed to the wall.

Unpacking

Follow any pack operating instructions carefully. Remove the contents of the carton very carefully. Retain all packaging for future use.

Preparing for use

The radiator may be used free standing with the feet fitted or wall mounted.

Using the radiator

WARNING – this radiator carries a warning ‘DO NOT COVER’ to alert the user to the risk of overheating that exists if the radiator is accidentally covered.

Operation

When you have completed the installation, plug in and switch on the power.

Set the thermostat control knob (see ‘a’ in **Fig. 8**) to position 10 (maximum) and allow the radiator to bring the room to your desired temperature.

The neon lamp (see ‘b’ in **Fig. 8**) will light to show that the radiator is heating. Now turn the thermostat control down slowly until the neon lamp just goes off. The radiator will now maintain the chosen temperature.

Note that the radiator may feel cool during operation if the room temperature is higher than the thermostat setting.

When the radiator is not in use, switch off the power supply and pull the plug out from the socket.

Cleaning

WARNING - ALWAYS DISCONNECT THE POWER SUPPLY BEFORE CLEANING THE HEATER.

Do not use detergents, abrasive cleaning powder or polish of any kind on the body of the heater.

Allow the heater to cool, then wipe with a dry cloth to remove dust and a damp cloth (not wet) to clean off stains. Be careful not to allow moisture in to the heater.

Recycling

For electrical products sold within the European Community.



At the end of the electrical products useful life it should not be disposed of with household waste. Please recycle where facilities exist. Check with your Local Authority or retailer for recycling advice in your country.

After Sales Service

Your product is guaranteed for one year from the date of purchase.

Within this period, we undertake to repair or exchange this product free of charge provided it has been installed and operated in accordance with these instructions.

Your rights under this guarantee are additional to your statutory rights, which in turn are not affected by this guarantee.

Should you require after sales service you should contact our customer services help desk on 0845 600 5111. It would assist us if you can quote the model number, series, date of purchase, and nature of the fault at the time of your call.

Please do not return a faulty product to us in the first instance as this may result in loss or damage and delay in providing you with a satisfactory service.

The inner panel of this heater is filled with a precise quantity of special oil. Repairs requiring opening of the oil container are only to be made by the manufacturer or its service agent. For further advice if an oil leak is suspected please contact our Customer Services Helpline. Regulations concerning the disposal of oil when scrapping the appliance must be followed. Please retain your receipt as proof of purchase.

Dimplex UK Limited
Millbrook House
Grange Drive
Hedge End
Southampton
Hampshire. SO30 2DF

UK customer help line 8.00am–5.00pm Mon-Fri and 8:30am-1.00pm Sat (October-March)

Technical Services: Tel. 0845 600 5111
Fax. 01489 773053
e-mail technical.services@dimplex.co.uk

Republic of Ireland Tel. 01 8424833