

CM700



Our standard range of programmable room thermostats offers large, clear displays – only the CM900 is larger – together with the reassurance that comes with the Honeywell name.

The wired versions (CM701 and CM707) offer 1 day or 7 day control using voltage-free contacts for valves and any boilers using low-voltage or mains power. Wireless versions (CM721 and CM727) make it easy to control your heating system.

- Ideal for controlling a combi
- Ideal for controlling a heating zone
- Ideal for social housing

No mess, no fuss

Our conventional wired models (CM901 and CM907) offer 1 day or 7 day control using voltage-free contacts for valves and any boilers using low voltage or mains power.

If you want good control but don't want a lot of mess, wireless versions (CM921 and CM927) make it easier to upgrade your system with minimum disruption. Not only that, but the same wireless receiver is used for all products – so you can combine them in any number of ways.

- Synchronised zone control – by synchronising the firing periods within the programme time, the boiler off-time can be maximised, reducing heating costs and saving energy.
- Radiator zone control – to create an extra zone within the home, CM920s can control wireless radiator controllers, enabling any radiator to demand heat, as well as creating a boiler interlock.
- Underfloor heating zone control – CM920 can send wireless signals to an underfloor heating manifold controller to control one or more heating zones.

Not only does the CM900 boast the biggest display on the market, but it also has backlighting which comes on whenever you press a button. Whether using the wired or wireless models, clarity and simplicity are the name of the game.

Inside, the innovation is not quite so easy to see, but rest assured the latest technology is working hard to minimise your boiler firing times whilst keeping you warm. The self-adapting system learns how your home responds to heat demand and adjusts itself accordingly. This helps save anything from 5 to 10% off your fuel bills and also reduces CO2 emissions, especially if you have a condensing boiler.



The innovation is easy to see



There's no need for instructions. Just press the OK button when you have read and understood the display.

- Easy to understand
- Easy to set
- Easy to read

Our innovative Line of Text (LoT™) display makes the thermostat extremely easy to use. The unique design means that your CM900 is:

CM900

Fold out to see CM Range specifications

CM Range specifications

Feature	CM907	CM901	CM927	CM921	CM937	CM707	CM701	CM727	CM721
Suitable for Systems with									
Combi boilers	✓	✓	✓	✓	✓	✓	✓	✓	✓
Regular boilers	✓	✓	✓	✓	✓	✓	✓	✓	✓
System boilers	✓	✓	✓	✓	✓	✓	✓	✓	✓
Multiple zones	✓	✓	✓	✓	✓	✓	✓	✓	✓
Underfloor heating	✓	✓	✓	✓	✓	✓	✓	✓	✓
Solar heating	✓	✓	✓	✓	✓	✓	✓	✓	✓
User Interface									
LoT™ (Line of Text) technology	✓	✓	✓	✓	✓				
OK button	✓	✓	✓	✓	✓	✓	✓	✓	✓
Large display						✓	✓	✓	✓
Extra large display	✓	✓	✓	✓	✓				
Backlight	✓	✓	✓	✓	✓				
Programme									
Number of days	7	1	7	1	7	7	1	7	1
Number of temperature changes/day	6	6	6	6	6	4	4	4	4
Number of temperature levels/day	6	6	6	6	6	4	4	4	4
Time setting resolution min	10	10	10	10	10	10	10	10	10
Temperature setting resolution °C	0.5	0.5	0.5	0.5	0.5	0.5	0.5	0.5	0.5
Special Functions									
Automatic Summer/Winter time change	✓	✓	✓	✓	✓				
Holiday Mode	✓	✓	✓	✓	✓	✓		✓	
Party Function (Timed override)	✓		✓		✓				
Day Off Function	✓		✓		✓				
Optimum Start	✓	✓	✓	✓	✓	✓	✓	✓	✓
P+I control	✓	✓	✓	✓	✓	✓	✓	✓	✓
Fuzzy Logic control			✓	✓	✓	✓	✓	✓	✓
Service reminder			✓	✓	✓	✓	✓	✓	✓
Load Compensation	✓	✓	✓	✓	✓	✓	✓	✓	✓
Control Output									
Relay output	✓	✓	✓	✓		✓	✓	✓	✓
Relay type	SPDT	SPDT	SPDT	SPDT	n.a	SPDT	SPDT	SPDT	SPDT
Relay load	8(3)A	8(3)A	10(3)A	10(3)A	n.a	5(2)A	5(2)A	10(3)A	10(3)A
Wired on/off	✓	✓				✓	✓	✓	
Wireless on/off			✓	✓				✓	✓
Wired/Opentherm					✓				
Extra Wireless Functions									
Multi Zone	✓*	✓*	✓	✓					
Synchronised Multi Zone			✓	✓					
One Zone Radiator Control			✓	✓					
Underfloor Heating Zone			✓	✓					

* Also available with wired models



HR80UK Wireless radiator controller
Allows groups of radiators to be controlled as a zone with no change to pipework or cable runs.



CM920 Wireless zone
Simply add CM920 wireless programmable thermostat to a group of HR80s to form a CM900 zone.

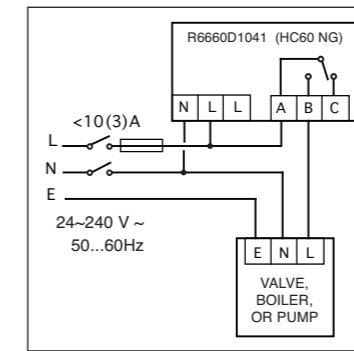


Multi zones
Simply by adding an extra receiver, the demands can be synchronised to increase energy efficiency.

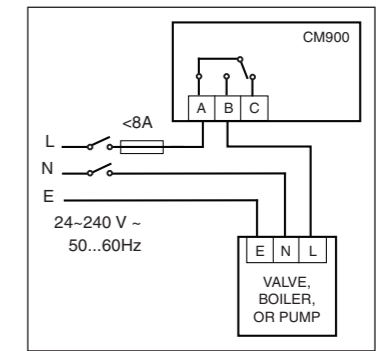


HCW80 Underfloor heating zone
Allows wireless control of underfloor heating zones using CM920.

Wiring Diagrams



Wireless receivers for
CM921, CM927
CM721, CM727



Wired models
CM901, CM907
CM701, CM707

Remote Sensors



CM900 wired models can be used with remote sensors.

- The Remote Sensor allows the user to control a room with the programmable room thermostat fitted outside that room.
- The Outside Sensor allows the user to see the outside temperature displayed.

Part Numbers

CM901	CMT901A1044	Wired	1 day programmable thermostat
CM907	CMT907A1041	Wired	7 day programmable thermostat
Outside Sensor	F42010971-001	Wired	Outside sensor for wired models
Remote Sensor	F42010972-001	Wired	Remote sensor for wired models
CM921	CMT921A1042	Wireless	1 day programmable thermostat
CM927	CMT927A1049	Wireless	7 day programmable thermostat

Any System

A 'secret' combination of buttons places the CM900 into 'installer mode', where non-user settings can be changed. These include the frost protection temperature and selection of the 'optimum start' feature, which adjusts the start-up time each morning according to the prevailing temperature and building heat-up characteristics.

Other parameters can be changed to adapt the programmable thermostat to almost any system, whether with boilers that are new condensing or older standard, with stored hot water or combi, gas or oil fired.