

# Technical Data Sheet

TAYLOR - EM002 & EM003

**essential**  
BATHROOMS

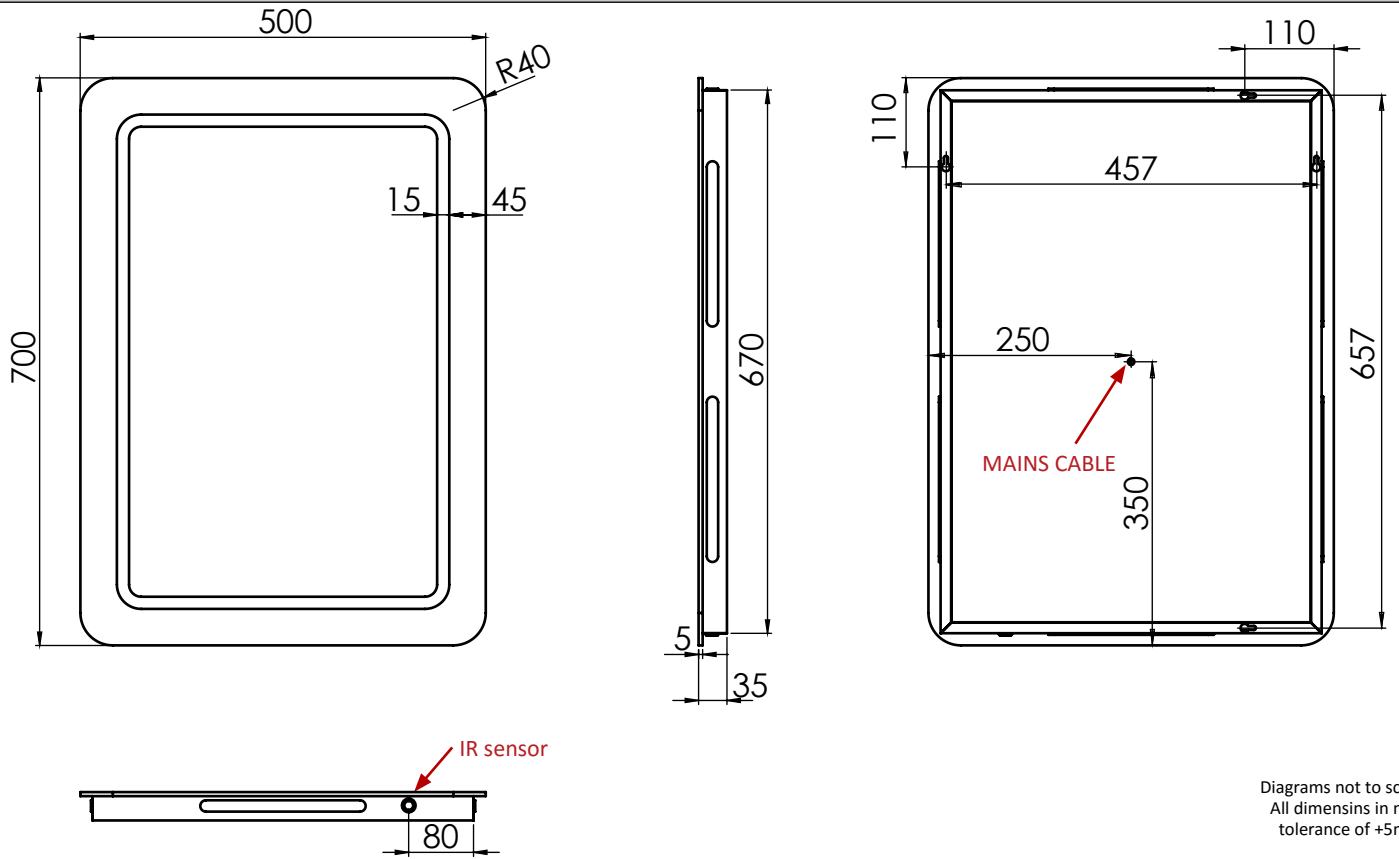
No.	Description	Code	Fixings Included
1	Illuminated mirror - 700x500mm	EM002	YES
2	Illuminated mirror - 800x600mm	EM003	YES



## Features

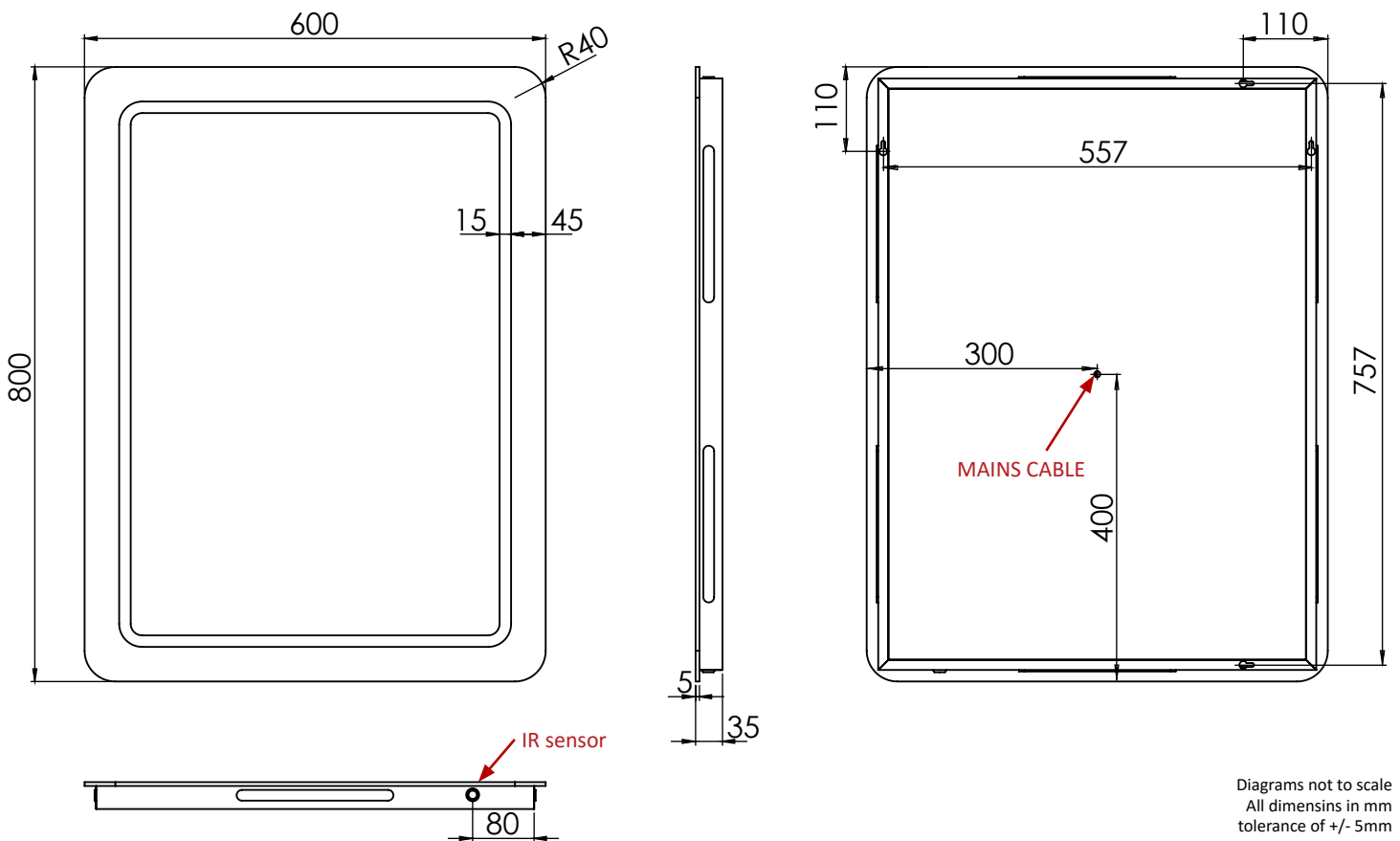
- LED Technology
- IR sensor
- IP44 Rated
- Ambient lighting
- Heated demister pad (310x450mm)

Dimensions - EM002



Diagrams not to scale  
All dimensions in mm  
tolerance of +5mm

Dimensions - EM003



Diagrams not to scale  
All dimensions in mm  
tolerance of +/- 5mm

## FAQ's

**Are the mirrors IP44 rated?** Yes, they can be placed in Zone 2.

**Can these mirrors be hung portrait and landscape?** Yes.

**What size fuse should I use?** We cannot recommend fuse size as each installation is different a qualified Electrician should be consulted in accordance with IEE 7671

**What is the thickness of the mirror glass?** 5mm

**Are the mirrors fitted with a mains cable?** Yes, the cable length is approximately 500mm (see drawing above).

**What is the total power consumption?** 49.12Watts (IBATL002) and 52.16Watts (IBATL003).

**What is the wattage of the lights?** 14.24Watts (IBATL002) and 17.28Watts (IBATL003).

**What is the output of the demister pad?** 34.88Watts.

**What size are the demister pads?** Both mirrors use the same size: 310x450mm.

**How do I turn on the demister pad?** The demister pad is activated when the light on the mirror is 'ON'.

**Can the LED lighting be replaced?** Yes we offer spares and instruction on how to replace them.

**Does these mirrors have an energy rating?** The mirror has an energy rating for the LED lighting used only in accordance with EU 874-2012. This LED's used in this product are rated is 'A'.

**Where is the IR sensor located?** Refer to drawing above.

**Can the IR sensor be re-positioned?** No

**How do you fix these mirrors to the wall?** The mirrors are installed with key hole slots please refer to installation instructions for more information.