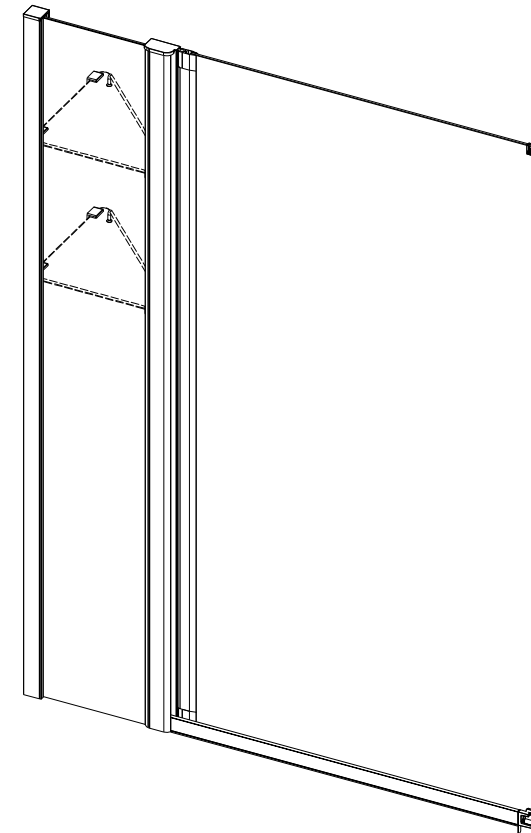

Secure seal Fixed panel



www.merlynshowering.com

MERLYN

Merlyn Showering
Unit 8, Purcellsinch Industrial Park,
Dublin Road, Kilkenny, Ireland.
Tel: 00353 56 779 1555
Fax: 00353 56 779 1576
www.merlynshowering.com

INSTALLATION GUIDE

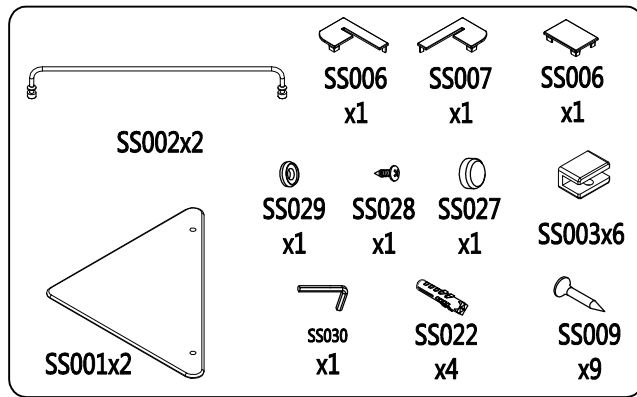
M060-00

IMPORTANT: Please read the complete instructions before commencing fit

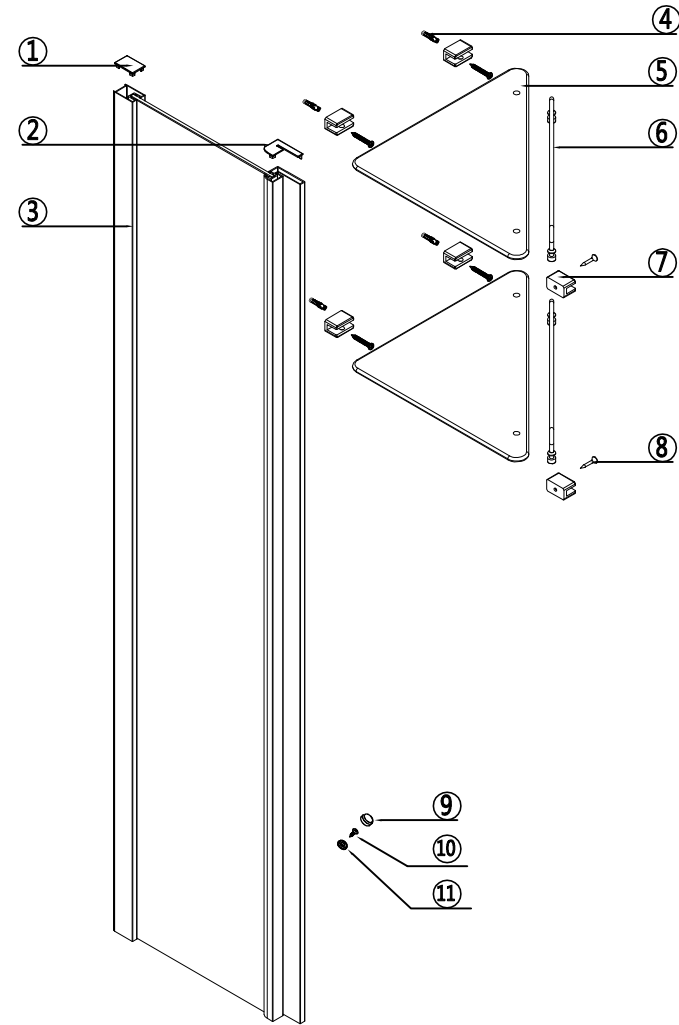
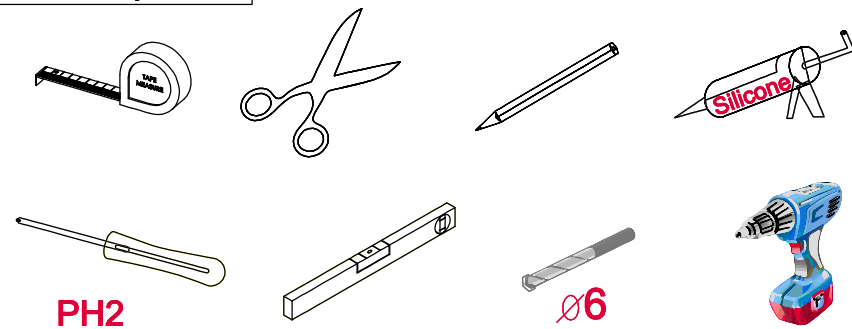
Check that you have the tools required.
 Check the installation site is compatible with the sizes of door supplied.
 Check all the enclosure components are present.
 Check the installation kit is complete.
 Do Not attempt to install the product unless you can tick all 4 boxes satisfactory.
 The wall plugs supplied with the installation kit are for use in solid walls. Hollow or 'stud partition' walls will require alternative fixings. Please consult a hardware supplier for the correct type.
 It may also be necessary to consult your tiling supplier about the correct method for drilling your tiles.

ATTENTION: TAKE EXTREME CARE WHEN HANDLING GLASS, WEAR PROTECTIVE EYEWEAR AND CLOTHING. DO NOT LEAVE THE GLASS ON HARD SURFACES AND AVOID CONTACT BETWEEN THE GLASS EDGES AND HARD SURFACES OR IMPACTS DURING THE INSTALLATION.

Fixing kit components



Tools required



No.	QTY	descriptions	Part No.	No.	QTY	descriptions	Part No.
①	1	Profile A06 End Cover	SS006	⑦	6	Shelf Glass Clamp	SS003
②	2	Profile A07 End Cover L/R	SS006/SS007	⑧	6	Crossing Countersink Taping Screw	SS009
③	2	Fix Panel Bathscreen		⑨	1	Screw cover cap	SS027
④	4	Wall Plug (grey)	SS022	⑩	1	Round head screw ST4*16	SS028
⑤	2	Glass shelf	SS001	⑪	1	Screw washer	SS029
⑥	2	Shelf Rail Components	SS002	⑫	1	4mm hexagon wrench	SS030

Fitting wall profile and fixed panel

Step 1

Position your wall profile so that both panels are on the very inside edge of the bath tub.

Then follow steps shown on instruction for the single panel bath screen.

Fitting glass shelves and top caps

Step 3

4mm hexagon wrench

Step 2

IMPORTANT!
You must drill through the center of the vertical line on the inside of the profile like above to ensure you do not drill into the fixed glass panel.

It's critical that you drill straight and not at an angle.

Step 4

Fitting top badges and bottom bracket

5A 5B

5C 5D

5E 5F

Step 5

After the handing has been determined, use a dab of silicone into the holes on the top and bottom of the end panel to secure both your badge and sealing arm catch as shown on the left.

To complete the installation seal your screen by applying silicone to the inside & outside of the wall & adjustment profile as shown above.

Step 6

50mm

Outside of the bath screen.

Inside of the bath screen.